

# Static Eliminators

**Eliminate static and dust!**

**Neutralize and clean at distances up to 20 feet!**



## What Is Static?

Material such as paper, plastic or textiles normally contain an equal number of positive and negative charges – that is, they are electrically balanced. Friction can disturb this balance, causing the material to become electrically charged.

The electrical charge (static) will exert a force on nearby charged objects or a grounded conductor. Among the problems caused by this force are:

- Dust clinging to product
- Product clinging to itself, rollers, machine beds or frames
- Materials tearing, jamming or curling
- Sheet feeding problems
- Hazardous sparks or shocks



**SCAN & WATCH the video!**  
<https://exair.co/04-sev>

Charged conductors (like metals) discharge completely when grounded. Insulators (like plastics) don't conduct electricity and can't discharge when grounded. Grounded brushes or tinsel often have little effect on these surfaces.

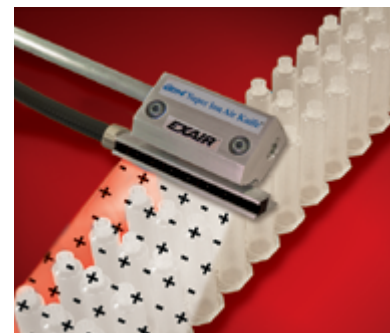
When aiming EXAIR's Model 7905 Static Meter at a single plastic surface, it is common to measure many voltages across the same surface. The higher the voltage measures, the stronger the static charge or force at that point. It is also possible for some voltages to have opposite polarities (positive or negative) which determines if two insulators will attract or repel one another.

EXAIR's Gen4 static eliminators (also called ionizers) can eliminate static charge. These shockless ionizers are electrically powered and produce a bulk of positive and negative ions. The charged surface attracts the appropriate number of positive or negative ions from the ionizer to become neutral (discharged).

## Why Choose Static Eliminators and **GEN4** Static Eliminator Systems?

EXAIR offers systems for total static control. When static is a problem on moving webs, sheet stock, three dimensional parts, extrusions or packaging, EXAIR has a solution. Our Gen4 static eliminators have undergone independent laboratory tests to certify it meets the rigorous safety, health and environmental standards of the USA, European Union and Canada that are required to attain the CE and UL marks. They are also RoHS compliant. Every Gen4 static eliminator offers:

- An armored high voltage cable to protect against abrasion, cuts, splits and other damage from the environment.
- Single wire, integrated ground design which eliminates the need for a separate ground connection
- Electromagnetic shielding in all cables to protect sensitive electronics
- Selectable Voltage (115V or 230VAC) power supplies with rugged stainless steel connections and integrated fuse protection on the primary input voltage. Available in 2 or 4 outlet versions.



**A small Model 112203 3" (76mm) Gen4 Super Ion Air Knife System eliminates contaminants from syringes prior to packaging.**

# Gen4® Static Eliminators

## Gen4 Static Eliminators With Air

Combining our engineered airflow products with ionizers gives us the ability to eliminate a static charge quickly and from great distances. Laminar flow airstreams make it possible to blow away any contaminants and eliminate the charge that attracts them. They are ideal for:

- Hard to reach places or obstructed surfaces
- Product moving at high speeds
- Surfaces with an extremely high charge

Compressed air consumption and noise are minimized while providing force that can be adjusted from a “blast” to a “breeze”. Tests show these ionizers positioned two feet (610mm) away from a charged surface to be as effective as a Gen4 Ionizing Bar without air delivery positioned one-half inch (13mm) from the surface.

The **Gen4 Super Ion Air Knife** provides 34% better static elimination than previous Super Ion Air Knife models and the best performance of all EXAIR ionizers. It uses our Super Air Knife (40:1 air amplification) to deliver a uniform sheet of ionized air effective up to 20 feet (6.1m) away.

The **Gen4 Standard Ion Air Knife** performance is improved by 30% over previous Standard Ion Air Knives. It delivers a sheet of ionized air to the surface with 30:1 air amplification ratio that is less efficient than the Gen4 Super Ion Air Knife.

The **Gen4 Super Ion Air Wipe** clamps around the part and creates a ring of ionized airflow. It neutralizes and cleans continuous moving surfaces.

The **Gen4 Ion Air Cannon** uses our Super Air Amplifier (22:1 air amplification) to provide a focused, conical airstream that is capable of removing the charge up to 15 feet (4.6m) away.

The **Gen4 Ion Air Gun** uses our High Velocity Air Jet (5:1 air amplification) to provide a narrow beam of ionized airflow. This hand-held static eliminator is rugged for industrial use and has incredibly fast static decay rates.

The **Gen4 Ion Air Jet** uses our High Velocity Air Jet (5:1 air amplification), and is an effective spot cleaner. Available for permanent mount or with flexible Stay Set Hose, this ionizer is the ideal way to focus an ionized airflow at confined areas.

## Gen4 Static Eliminators Without Air

In some situations, even the smallest amount of airflow can disturb the product. This is especially true for lightweight materials. EXAIR manufactures two styles of ionizers for these critical applications.

**Gen4 Ionizing Bars** perform 25% better than previous Ionizing Bars and are ideal for relatively flat materials, where the bar can be mounted within 4" of the product surface.

The **Gen4 Ionizing Point** is effective for spot neutralization. The compact size makes it ideal for winding or slitting operations. It can also be mounted through a duct to neutralize static charges due to moving air or materials.

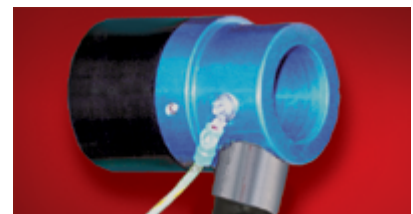
## Special Static Eliminators

EXAIR manufactures static eliminators suited to specific application requirements. This special ionizer (*shown bottom right*) was developed for the automotive industry. This air amplifier and ionizer combination is used to dry water based paints on car bodies while eliminating the possibility of a static charge that might attract dust or other contaminants.

If you have special requirements, please contact an Application Engineer to discuss the application.



A Model 8006 6" (152mm) Gen4 Ionizing Bar eliminates the static charge causing packing peanuts to cling.



This special ionizer dries water based paint on car bodies and eliminates any static problems.

# GEN4<sup>®</sup> Super Ion Air Knife™

**Powerful static eliminator prevents jamming, tearing, shocks and dust up to 20' away!**

Uses The Super Air Knife

- Low Air Consumption!**
- Surprisingly Quiet!**
- Uniform Airflow!**
- End and Bottom Air Inlets!**

## What Is The GEN4 Super Ion Air Knife?

Compared to our previous version, EXAIR's Gen4 Super Ion Air Knife offers 34% improved performance at low pressures allowing you to achieve the same or better results, which saves compressed air and money. Gen4 Super Ion Air Knives remove static electricity from plastics, webs, sheet stock and other product surfaces where tearing, jamming or hazardous shocks are a problem. The laminar sheet of air sweeps surfaces clean of static, particulate, dust and dirt. Production speeds, product quality, and surface cleanliness can improve dramatically.

## Why The GEN4 Super Ion Air Knife?

The Gen4 Super Ion Air Knife floods an area or surface with static eliminating ions - up to 20 feet (6.1m) away. A uniform airflow across its length will not cause misalignments to critical surfaces such as webs. Force can be adjusted from a "blast" to a "breeze". The Gen4 Super Ion Air Knife is shockless and has no moving parts. **It also requires only 3.7 SCFM of compressed air per foot of length at 5 PSIG (105 SLPM per 300mm of length at 0.3 BAR).** Sound level is surprisingly quiet at 50 dBA for most applications.

### Applications

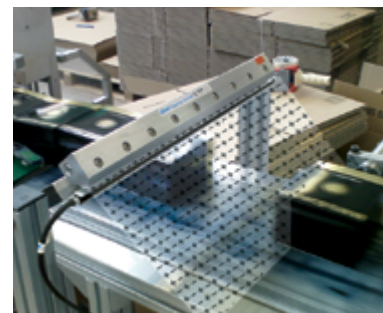
- Web cleaning
- Molding machinery
- Sheeters and trimmers
- Cleaning parts
- Pre-paint dust removal
- Shrink wrappers
- Package cleaning
- Bag opening/ fill operations
- Printing equipment

### Advantages

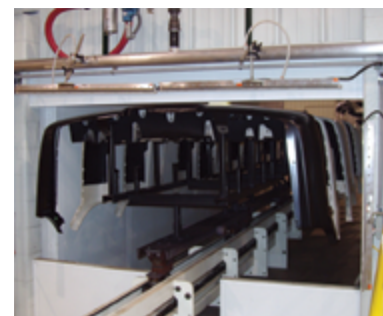
- Up to 34% improved performance
- Rugged metal armored and electromagnetically shielded cable
- Integrated ground eliminates additional ground connection
- Durable stainless steel connections to Power Supply
- Low air consumption
- Uniform airflow across entire length
- Quiet
- Effective up to 20 feet (6.1m)
- Shockless, non-radioactive
- Compact, rugged, easy to install
- Unlimited system lengths of uninterrupted airflow
- Low maintenance
- UR/CE
- EMC Compliant
- Modular power supply cable eases connections and routing



The Gen4 Super Ion Air Knife eliminates the static charge on labels being applied to PET soft drink bottles.



The Model 112118 18" (457mm) Gen4 Super Ion Air Knife System eliminates dust from body care products prior to sealing the boxes in cellophane.

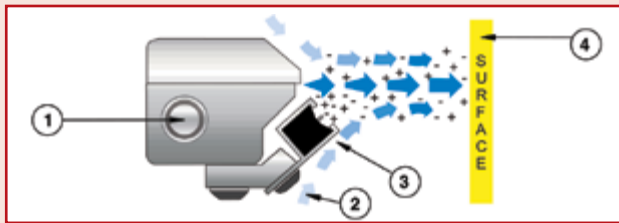


Bumpers, car bodies and fascia are cleaned of dust and fibers prior to painting.



# Gen4<sup>®</sup> Super Ion Air Knife

## How The Gen4 Super Ion Air Knife Works



Compressed air flows through an inlet (1) into the plenum chamber of the Gen4 Super Ion Air Knife. The flow is directed to a precise, slotted orifice. As the primary airflow exits, it creates a uniform sheet of air across the entire length that immediately pulls in surrounding room air (2). An electrically powered Gen4 Ionizing Bar (3) fills the curtain of air with positive and negative charges. The airstream delivers these static eliminating ions to the product surface (4) where it instantly neutralizes static and cleans off dust and other particulates.

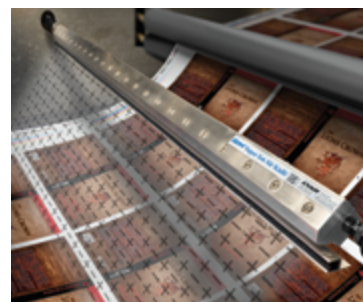
## Added Features

- Compressed air inlets are provided on each end and the bottom of the Gen4 Super Ion Air Knife. Unlimited lengths available up to 118" (3m).
- Thicker shims can be installed easily if additional hard-hitting velocity is required.
- Primary air does not impact any surface of the Gen4 Super Ion Air Knife which keeps the sound level low.
- Insertion molded emitter points eliminate potential dirt accumulation that could degrade performance or eventually short the ionizing bar.
- Emitter points are sharp, durable stainless steel.
- The high voltage cable is armored to resist cuts and abrasion and has integral grounding, which eliminates an additional connection. The threaded bayonet connector is fully assembled and ready to use.
- Electromagnetically shielded cable protects sensitive electronics.
- Gen4 Super Ion Air Knife Kits, which include all components necessary for operation, are available.

## Gen4 Super Ion Air Knife Performance

| Pressure Supply |     | Air Consumption* |       | Sound Level | Dissipates 5kV** |
|-----------------|-----|------------------|-------|-------------|------------------|
| PSIG            | BAR | SCFM             | SLPM  | dBA         | SECONDS          |
| 5               | 0.3 | 3.7              | 105   | 39          | 0.40             |
| 10              | 0.7 | 5.5              | 156   | 51          | 0.33             |
| 20              | 1.4 | 13.2             | 372   | 57          | 0.26             |
| 40              | 2.8 | 20.4             | 576   | 61          | 0.23             |
| 60              | 4.1 | 27.6             | 780   | 65          | 0.21             |
| 80              | 5.5 | 34.8             | 984   | 69          | 0.20             |
| 100             | 6.9 | 42.0             | 1,188 | 72          | 0.18             |

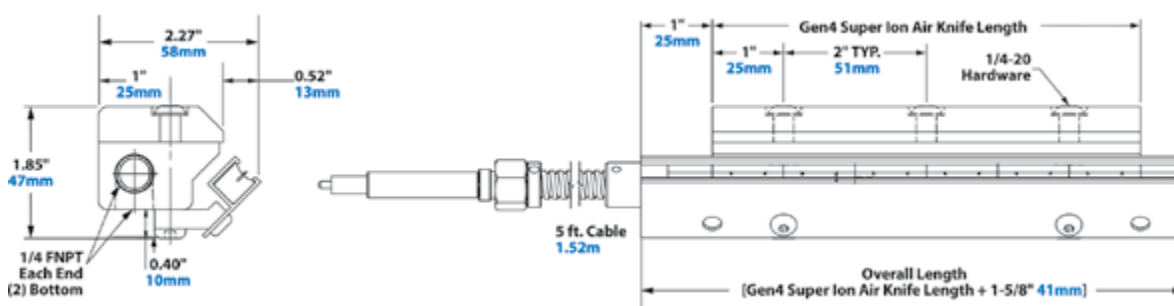
\* per foot (305mm) of length  
 \*\*6" (152mm) from target  
 For airflow pattern, see Super Air Knife page 24



The Model 112048 48" (1219mm) Gen4 Super Ion Air Knife neutralizes the static electricity and cleans the surface of the paper.

Static Eliminators

## Gen4 Super Ion Air Knife Dimensions



DOWNLOAD drawings at EXAIR.com

## Enhanced Performance and Reliability

Gen4 Ionizing Bars are most effective with an air delivery system. That allows the static eliminating ions to reach farther with greater coverage. When used by itself, a bar must be mounted within 4 inches of the charged surface to fully neutralize it. This close mounting is impossible when the static is generated in confined areas of a machine. Ion coverage is minimal on oddly configured parts or when high production speeds are involved.

The right type of air delivery is critical. Blowers produce an uneven, turbulent airstream that can cause the positive and negative ions to recombine before hitting the charged material. They are large, suffer mechanical wear and provide limited airflow control. The compact Gen4 Super Ion Air Knife uses a small amount of compressed air to produce a balanced, laminar sheet of air to carry the ions to the charged surface, even when it is far away. Flow and force are easily controlled and there are no moving parts to wear out.



## GEN4 Super Ion Air Knife Specifications

The Gen4 Super Ion Air Knife is available in standard lengths of 3", 6", 9", 12", 18", 24", 30", 36", 42", 48", 54", 60", 72", 84", 96" and 108" (76, 152, 229, 305, 457, 610, 762, 914, 1067, 1219, 1372, 1524, 1829, 2134, 2438 and 2743mm). **Special lengths and unlimited system lengths are available (please contact our factory).** A 5' (1.52m) armored and electromagnetically shielded power cable with ground and assembled bayonet connector are included.

### EXAIR Model 7960 or 7961 Gen4 Power Supply (5kV) is required for Super Ion Air Knife operation.

Power supplies are equipped with a modular 6' (1.83m) power cord, lighted power switch integrated fuse on the primary and (2) or (4) high voltage outlets.

**Certifications:** Gen4 Ionizing Bars and Gen4 Power Supplies are UL Component Recognized to U.S. and Canadian safety standards, and are CE, EMC and RoHS compliant.

**Compressed Air:** 1/4 NPT inlets are provided on each end and the bottom.

**Electrical:** For use with Model 7960 or 7961 5 kVrms, 5 milliamperes (max.) power supply.

**Electrical Hazard:** Gen4 Ionizing Bars are shockless (less than 40 microamperes short circuited).

**Do not use near flammable materials or gases.**

### Materials of Construction

**Metal Parts:** Aluminum  
**Plastic Parts:** UL rated 94 HB  
**Emitters:** Stainless Steel

**Maximum Ambient Temperature:** 165°F (74°C)

**Shims:** Thicker shims can be installed easily if additional hard-hitting velocity is required. For more information, see "shim sets" on page 25.



Model 9060 Universal Air Knife Mounting System provides secure, precise positioning for the Gen4 Super Ion Air Knife. See page 29 for details.

Static Eliminators

## Static Meter

# Static Meter

Locate the source of the static problem!



### Digital Static Meter Locates The Source!

The Model 7905 Digital Static Meter allows easy one-hand static measurements. In most cases, the highest voltage reading will indicate the source of the static problem. Sensitive and responsive, it indicates the surface voltage and polarity on objects up to ±20 kV when measured one inch (25mm) away.

The Digital Static Meter features a push button "hold" for readings, a low battery indicator and an automatic "power off". A "zero" button to zero the instrument ensures an accuracy of ±5% of the reading when it is one inch (25mm) from the charged surface.



The Model 7905 Digital Static Meter comes complete with a hard-shell plastic case and a 9 volt battery. Certification of the accuracy and calibration traceable to NIST (National Institute of Standards and Technology) is also included. Calibration is available.

# GEN4<sup>®</sup> Super Ion Air Knife

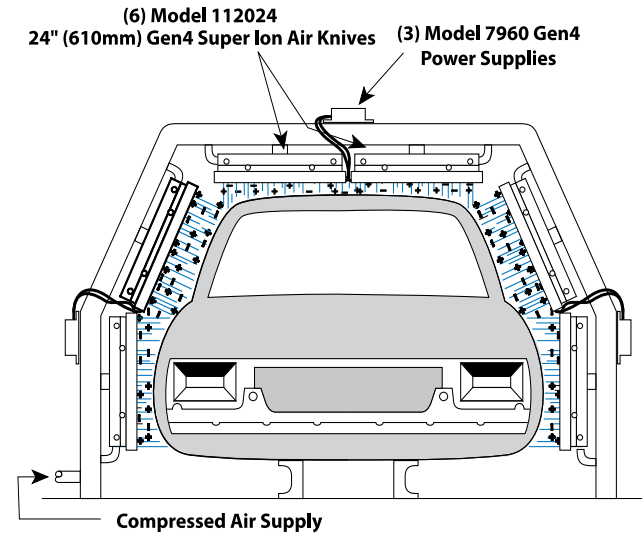
## Dust Removal From Car Bodies

**The Problem:** Car bodies are primer coated, then sanded before entering the paint booth. Priming dust, attracted to the car body by a static charge, creates imperfections that are captured and magnified in the painting process.

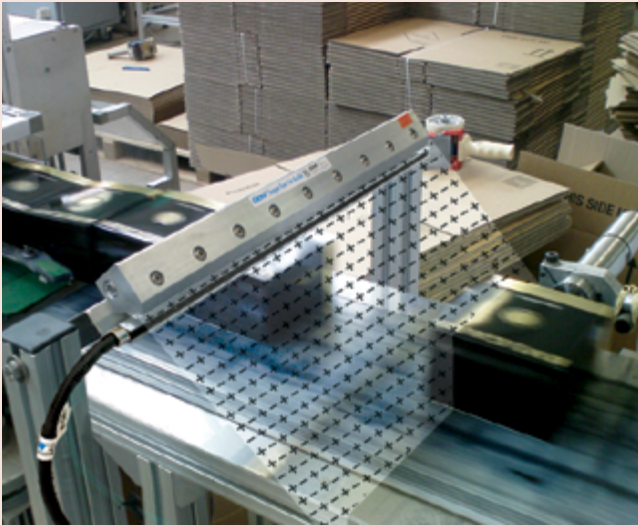
**The Solution:** An “archway” of **Model 112024 24" (610mm) Gen4 Super Ion Air Knives** was installed upstream of the paint booth. As the car bodies pass through, a **high velocity sheet of ionized air neutralizes the static charge to release the dust and blow it toward a collection system.**

**Comment:** Non-turbulent airflow was the reason this cleaning system worked so well. The compact Gen4 Super Ion Air Knife has the ability to move the bulk of the static eliminating ions to the car surface. It can be adjusted from a gentle breeze of air to a pounding blast, with instant “on/off” capability. Uniform airflow across the entire length assures that all car body surfaces are neutralized and dust free. Best of all, the Gen4 Super Ion Air Knife is easy on the compressed air system and workers' ears. They use much less compressed air than standard blowoffs and are around 69 dBA in most applications.

EXAIR's EFC (*shown on page 7*) is an electronic flow control for compressed air. It can sense when there is no car present and will automatically turn off the compressed air until the next car is moved into position. It is a perfect addition to this type of application.



## A Manufacturer Of Perfumes And Fragrances Eliminates Dust From Their Packages



**The Problem:** A manufacturer of perfumes and fragrances had a problem with the packaging of their fine perfumes. The conveyor belt used to transport the boxes to the cellophane sealer rubbed against the box surface and induced a sizable static electricity charge on it that made it a "dust magnet". The cardboard dust and particulates

in their facility would land on the perfume boxes that were sent through the cellophane sealer. The trapped dust gave a poor appearance to the finished package. The company refused to let the boxes with the poor appearance leave their facility. Attempts to clean them using ordinary air guns produced poor results.

**The Solution:** The company installed a **Model 112018 18" (457mm) Gen4 Super Ion Air Knife** prior to the box entering the sealer. The charged surface was completely neutralized with the ionized airflow and the dust and particulates were blown away. The cellophane covered boxes were perfectly clean.

**Comment:** EXAIR's Gen4 Super Ion Air Knife is used for applications just like these where appearance is vital to the sale of the product. The Gen4 Super Ion Air Knife is commonly used for pre-package cleaning, bag opening and filling operations, cleaning automobile bodies prior to painting, web cleaning, as well as eliminating jams, tears and those painful static electricity shocks.

## Cleaning Porcelain Dishes Prior To Glazing



**The Problem:** A manufacturer of fine porcelain dinnerware products had a problem with dust ruining the finish on their dishes. Dust particles were adhering to the surface of the dishes which created imperfections that were greatly magnified once the glaze was applied. Prior to glazing, they made attempts to blow the dust particles away using ordinary air nozzles which had little effect, if any. There were abundant rejects.

**The Solution:** They installed (3) **Model 112018 18" (457mm) Gen4 Super Ion Air Knives** to surround each dish, neutralize the static charge and remove the dust particles. Any airborne particulate was immediately vacuumed away by their dust collection system. The dishes were completely smooth to the touch with no imperfections.

**Comment:** A similar problem used to plague automotive manufacturers. The static charge generated by the automobile body tack off operation would cause the car body to attract stray particles of priming dust. Once the paint hits a dust particle, it sticks out like a sore thumb and ruins an otherwise perfect robotic paint job. The **Gen4 Super Ion Air Knife** is ideal here since it neutralizes the charge and blows the dust away (in the direction of their dust collection system). To minimize compressed air use for these applications, we recommend the use of an EXAIR EFC Electronic Flow Control that automatically turns off the compressed air when no part is present.

### Gen4 Super Ion Air Knife Models

**Gen4 Super Ion Air Knife** - includes the Super Air Knife and Gen4 Ionizing Bar assembly.

**Gen4 Super Ion Air Knife Systems** - include a Gen4 Super Ion Air Knife and Model 7960 Gen4 Power Supply (115V, 230V, 50/60 Hz)

**Gen4 Super Ion Air Knife Kits** - include a Gen4 Super Ion Air Knife, Model 7960 Gen4 Power Supply, shim set, filter separator and pressure regulator (with coupler).

**Gen4 Deluxe Super Ion Air Knife Kits** - include a Gen4 Super Ion Air Knife, Model 7960 Gen4 Power Supply, EFC, Universal Mounting System, shim set, filter separator and pressure regulator (with coupler).

| Length        | Gen4 Super Ion Air Knife Model | Gen4 Super Ion Air Knife Systems Model | Gen4 Super Ion Air Knife Kits Model | Gen4 Deluxe Super Ion Air Knife Kits Model |
|---------------|--------------------------------|--|-------------------------------------|--|
| 3" (76mm)     | 112003                         | 112103                                 | 112203                              | 112203DX                                   |
| 6" (152mm)    | 112006                         | 112106                                 | 112206                              | 112206DX                                   |
| 9" (229mm)    | 112009                         | 112109                                 | 112209                              | 112209DX                                   |
| 12" (305mm)   | 112012                         | 112112                                 | 112212                              | 112212DX                                   |
| 18" (457mm)   | 112018                         | 112118                                 | 112218                              | 112218DX                                   |
| 24" (610mm)   | 112024                         | 112124                                 | 112224                              | 112224DX                                   |
| 30" (762mm)   | 112030                         | 112130                                 | 112230                              | 112230DX                                   |
| 36" (914mm)   | 112036                         | 112136                                 | 112236                              | 112236DX                                   |
| 42" (1067mm)  | 112042                         | 112142                                 | 112242                              | 112242DX                                   |
| 48" (1219mm)  | 112048                         | 112148                                 | 112248                              | 112248DX                                   |
| 54" (1372mm)  | 112054                         | 112154                                 | 112254                              | 112254DX                                   |
| 60" (1524mm)  | 112060                         | 112160                                 | 112260                              | 112260DX                                   |
| 72" (1829mm)  | 112072                         | 112172                                 | 112272                              | 112272DX                                   |
| 84" (2134mm)  | 112084                         | 112184                                 | 112284                              | 112284DX                                   |
| 96" (2438mm)  | 112096                         | 112196                                 | 112296                              | 112296DX                                   |
| 108" (2743mm) | 1120108                        | 1121108                                | 1122108                             | 1122108DX                                  |



Static Eliminators

Kits include the Gen4 Super Ion Air Knife, shim set, Model 7960 Gen4 Power Supply, filter separator and pressure regulator (with coupler).

### Universal Air Knife Mounting System

EXAIR's Universal Air Knife Mounting System allows easy positioning of all EXAIR Air Knives. See page 29 for details.

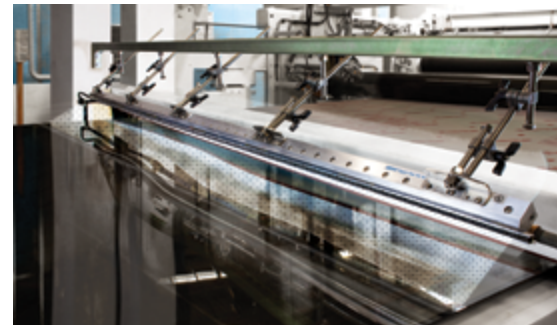




# GEN4® Super Ion Air Knife

## GEN4 Long Super Ion Air Knives

EXAIR offers long Gen4 Super Ion Air Knives in 60" (1524mm), 72" (1829mm), 84" (2134mm), 96" (2438mm) and 108" (2743mm) lengths that are shipped fully assembled. All components have been properly sized to obtain the best performance from the Gen4 Super Ion Air Knife.



This 96" Long Gen4 Super Ion Air Knife cleans an acrylic sheet before protective wrap is applied.

### GEN4 Super Ion Air Knife Models with Plumbing Kit

**Gen4 Super Ion Air Knife with Plumbing Kit** - includes Super Air Knife, plumbing kit and Gen4 Ionizing Bar installed.

**Gen4 Super Ion Air Knife Systems with Plumbing Kit** - include Super Air Knife, plumbing kit and Gen4 Ionizing Bar installed. Includes Model 7960 Gen4 Power Supply (115V, 230V, 50/60Hz).

**Gen4 Super Ion Air Knife Kits with Plumbing Kit** - include Super Air Knife, plumbing kit and Gen4 Ionizing Bar installed. Also includes Model 7960 Gen4 Power Supply (115V, 230V, 50/60Hz), shim set, filter separator and pressure regulator (with coupler).

| Length        | Gen4 Super Ion Air Knife Model | Gen4 Super Ion Air Knife Systems Model | Gen4 Super Ion Air Knife Kits Model |
|---------------|--------------------------------|--|-------------------------------------|
| 24" (610mm)   | 112024PKI                      | 112124PKI                              | 112224PKI                           |
| 30" (762mm)   | 112030PKI                      | 112130PKI                              | 112230PKI                           |
| 36" (914mm)   | 112036PKI                      | 112136PKI                              | 112236PKI                           |
| 42" (1067mm)  | 112042PKI                      | 112142PKI                              | 112242PKI                           |
| 48" (1219mm)  | 112048PKI                      | 112148PKI                              | 112248PKI                           |
| 54" (1372mm)  | 112054PKI                      | 112154PKI                              | 112254PKI                           |
| 60" (1524mm)  | 112060PKI                      | 112160PKI                              | 112260PKI                           |
| 72" (1829mm)  | 112072PKI                      | 112172PKI                              | 112272PKI                           |
| 84" (2134mm)  | 112084PKI                      | 112184PKI                              | 112284PKI                           |
| 96" (2438mm)  | 112096PKI                      | 112196PKI                              | 112296PKI                           |
| 108" (2743mm) | 112108PKI                      | 112108PKI                              | 1122108PKI                          |

Special length Gen4 Super Ion Air Knives and unlimited system lengths are available.

**GO GREEN**  
**SAVE MONEY**

Order EXAIR's EFC™ electronic flow control to minimize compressed air use. See page 7 for details.

Static Eliminators

### Accessories and Components

| Model # | Description   | Model # | Description   |
|---------|---|---------|---|
| 7960    | 2 Outlet Selectable Voltage Gen4 Power Supply (115V, 230V, 50/60Hz) | 7905    | Static Meter  |
| 7961    | 4 Outlet Selectable Voltage Gen4 Power Supply (115V, 230V, 50/60Hz) | 9001    | Auto Drain Filter Separator, 3/8 NPT, 65 SCFM (1,841 SLPM)              |
| 8003    | 3" (76mm) Gen4 Ionizing Bar Only                                    | 9032    | Auto Drain Filter Separator, 1/2 NPT, 90 SCFM (2,549 SLPM)              |
| 8006    | 6" (152mm) Gen4 Ionizing Bar Only                                   | 9002    | Auto Drain Filter Separator, 3/4 NPT, 220 SCFM (6,230 SLPM)             |
| 8009    | 9" (229mm) Gen4 Ionizing Bar Only                                   | 9066    | Auto Drain Filter Separator, 1-1/4 NPT, 400 SCFM (11,327 SLPM)          |
| 8012    | 12" (305mm) Gen4 Ionizing Bar Only                                  | 9005    | Oil Removal Filter, 3/8 NPT, 15-37 SCFM (425-1,048 SLPM)                |
| 8018    | 18" (457mm) Gen4 Ionizing Bar Only                                  | 9006    | Oil Removal Filter, 3/4 NPT, 50-150 SCFM (1,416-4,248 SLPM)             |
| 8024    | 24" (610mm) Gen4 Ionizing Bar Only                                  | 9008    | Pressure Regulator with Gauge, 1/4 NPT, 50 SCFM (1,416 SLPM)            |
| 8030    | 30" (762mm) Gen4 Ionizing Bar Only                                  | 9033    | Pressure Regulator with Gauge, 1/2 NPT, 100 SCFM (2,832 SLPM)           |
| 8036    | 36" (914mm) Gen4 Ionizing Bar Only                                  | 9009    | Pressure Regulator with Gauge, 3/4 NPT, 220 SCFM (6,230 SLPM)           |
| 8042    | 42" (1067mm) Gen4 Ionizing Bar Only                                 | 9067    | Pressure Regulator with Gauge, 1-1/4 NPT, 600 SCFM (16,990 SLPM)        |
| 8048    | 48" (1219mm) Gen4 Ionizing Bar Only                                 | 9020    | Solenoid Valve, 120V, 50/60Hz, 1/4 NPT, 40 SCFM (1,133 SLPM)            |
| 8054    | 54" (1372mm) Gen4 Ionizing Bar Only                                 | 9034    | NEMA 4/4X Solenoid Valve, 120V, 50/60Hz, 1/2 NPT, 100 SCFM (2,832 SLPM) |
| 8060    | 60" (1524mm) Gen4 Ionizing Bar Only                                 | 9035    | NEMA 4/4X Solenoid Valve, 240V, 50/60Hz, 1/2 NPT, 100 SCFM (2,832 SLPM) |
| 8072    | 72" (1829mm) Gen4 Ionizing Bar Only                                 | 9036    | NEMA 4/4X Solenoid Valve, 120V, 50/60Hz, 3/4 NPT, 200 SCFM (5,664 SLPM) |
| 8084    | 84" (2134mm) Gen4 Ionizing Bar Only                                 | 9037    | NEMA 4/4X Solenoid Valve, 240V, 50/60Hz, 3/4 NPT, 200 SCFM (5,664 SLPM) |
| 8096    | 96" (2438mm) Gen4 Ionizing Bar Only                                 | 9065    | NEMA 4/4X Solenoid Valve, 24VDC, 1 NPT, 350 SCFM (9,911 SLPM)           |
| 80108   | 108" (2743mm) Gen4 Ionizing Bar Only                                |         |   |

## GEN4® Standard Ion Air Knife™

**A sheet of ionized air is an effective way to eliminate static and clean parts or materials!**



### What Is The GEN4 Standard Ion Air Knife?

When compared to our previous model, EXAIR's Gen4 Standard Ion Air Knife offers 30% improved performance at low pressures allowing you to achieve the same or better results, which saves compressed air and money. They are an effective way to eliminate static. Like its "super" counterpart, the Gen4 Standard Ion Air Knife removes static electricity from plastics, webs, sheet stock and other surfaces where tearing, jamming or hazardous shocks are a problem.



**SCAN & WATCH** the video!  
<https://exair.co/04-stdiakv>

This ionizer uses our original Standard Air Knife to carry ions from a Gen4 Ionizing Bar to the charged surface - up to 20 feet (6.1m) away. Though not as efficient as our Gen4 Super Ion Air Knife (40:1 air amplification), the Gen4 Standard Ion Air Knife (30:1 air amplification) still provides fast static decay and strong blowoff force for cleaning. Force can be adjusted from a "blast" to a "breeze". The Gen4 Standard Ion Air Knife is shockless and has no moving parts.

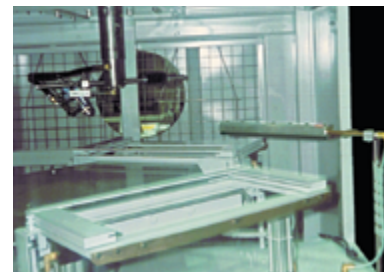
### Why The GEN4 Standard Ion Air Knife?

When air consumption and noise level are not critical to the application, the lower cost makes the Gen4 Standard Ion Air Knife a good choice. (To compare the Gen4 Super Ion Air Knife and Gen4 Standard Ion Air Knife, see the performance tables on pages 124 and 130.)

Compressed air inlets are provided on each end of the Gen4 Standard Ion Air Knife. For long spans, multiple Gen4 Standard Ion Air Knives can be mounted end-to-end. This produces an air gap at the connection end of about 2" (51mm). (If no air gap is desired, use the Gen4 Super Ion Air Knife.) Special length Gen4 Ionizing Bars up to 119" (3.02m) are available for multiple air knife applications.



The Model 8218 18" (457mm) Gen4 Standard Ion Air Knife System showers parts with static eliminating ions to prevent personnel shocks.



A Model 8212 12" (305mm) Gen4 Standard Ion Air Knife System cleans metal frames prior to powder coating.



A Model 8103 3" (76mm) Gen4 Standard Ion Air Knife removes dust from computer hard disks prior to assembly.

Static  
Eliminators

### Applications

- Web cleaning
- Molding machinery
- Sheeters and trimmers
- Cleaning parts
- Pre-paint dust removal
- Shrink wrappers
- Package cleaning
- Bag opening/fill operations
- Printing equipment

### Advantages

- 30% improved performance
- Rugged metal armored and electromagnetically shielded cable
- Integrated ground eliminates additional ground connection
- Durable stainless steel connections to Power Supply
- Reduced air consumption
- 30:1 air amplification
- Low noise level
- Effective up to 20 feet (6.1m)
- Shockless, non-radioactive
- Compact, rugged, easy to install
- Unlimited system lengths
- Low maintenance
- Variable force and flow

# GEN4® Standard Ion Air Knife

## GEN4 Standard Ion Air Knife Performance

| Pressure Supply |     | Air Consumption* |       | Sound Level | Dissipates 5kV** |
|-----------------|-----|------------------|-------|-------------|------------------|
| PSIG            | BAR | SCFM             | SLPM  | dBA         | SECONDS          |
| 5               | 0.3 | 6                | 170   | 66          | 0.38             |
| 10              | 0.7 | 8                | 227   | 68          | 0.28             |
| 20              | 1.4 | 16               | 453   | 69          | 0.29             |
| 40              | 2.8 | 24               | 679   | 78          | 0.21             |
| 60              | 4.1 | 32               | 906   | 84          | 0.21             |
| 80              | 5.5 | 41               | 1,160 | 87          | 0.21             |
| 100             | 6.9 | 49               | 1,387 | 90          | 0.21             |

\* per foot (305mm) of length  
 \*\* 6" (152mm) from target.  
 For airflow pattern, see Standard Air Knife page 35.  
 Note: Performance on lengths over 36" will vary.  
 Contact an Application Engineer for details.



Kits include the Gen4 Standard Ion Air Knife, shim set, Model 7960 Gen4 Power Supply, filter separator and pressure regulator (with coupler).

## GEN4 Standard Ion Air Knife Specifications

The Gen4 Standard Ion Air Knife is available in standard lengths of 3", 6", 9", 12", 18", 24", 30", 36", 42" and 48" (76, 152, 229, 305, 457, 610, 762, 914, 1067 and 1219mm). **Special lengths up to 48" (1219mm) and unlimited system lengths are available (please contact our factory).** A 5' (1.52m) armored and shielded power cable with ground and assembled bayonet connector are included. **EXAIR Model 7960 or 7961 Gen4 Power Supply (5kV) is required for Standard Ion Air Knife operation.** See page 142 for details.

**Certifications:** Gen4 Ionizing Bars and Gen4 Power Supplies are UL Component Recognized to U.S. and Canadian safety standards, and are CE and RoHS compliant.



**Compressed Air:** 1/4 NPT inlets are provided on each end.  
**Electrical:** For use with 5 kVrms, 5 milliamperes (max.) power supply.

**Electrical Hazard:** Gen4 Ionizing Bars are shockless (less than 40 microamperes short circuited).

**Do not use near flammable materials or gases.**

### Materials of Construction

**Metal Parts:** Aluminum  
**Plastic Parts:** UL rated 94 HB  
**Emitters:** Stainless Steel

**Maximum Ambient Temperature:** 165°F (74°C)

**Shims:** Thicker shims can be installed easily if additional hard-hitting velocity is required, see "shim sets" page 34.

## GEN4 Standard Ion Air Knife Models

**Gen4 Standard Ion Air Knife** - consists of the Standard Air Knife and Gen4 Ionizing Bar assembly. Does not include Power Supply.

**Gen4 Standard Ion Air Knife Systems** - include a Gen4 Standard Ion Air Knife and Model 7960 Gen4 Power Supply (115V, 230V, 50/60Hz).

**Gen4 Standard Ion Air Knife Kits** - include a Gen4 Standard Ion Air Knife, Model 7960 Gen4 Power Supply, shim set, filter separator and pressure regulator (with coupler).

**Gen4 Deluxe Standard Ion Air Knife Kits** - include a Gen4 Standard Ion Air Knife, EFC, Universal Mounting System, Model 7960 Gen4 Power Supply, shim set, filter separator and pressure regulator (with coupler).

| Length       | Gen4 Standard Ion Air Knife Model | Gen4 Standard Ion Air Knife Systems Model | Gen4 Standard Ion Air Knife Kits Model | Gen4 Deluxe Standard Ion Air Knife Kits Model |
|--------------|-----------------------------------|---|--|---|
| 3" (76mm)    | 8103                              | 8203                                      | 8403                                   | 8403DX  |
| 6" (152mm)   | 8106                              | 8206                                      | 8406                                   | 8406DX  |
| 9" (229mm)   | 8109                              | 8209                                      | 8409                                   | 8409DX  |
| 12" (305mm)  | 8112                              | 8212                                      | 8412                                   | 8412DX  |
| 18" (457mm)  | 8118                              | 8218                                      | 8418                                   | 8418DX  |
| 24" (610mm)  | 8124                              | 8224                                      | 8424                                   | 8424DX  |
| 30" (762mm)  | 8130                              | 8230                                      | 8430                                   | 8430DX  |
| 36" (914mm)  | 8136                              | 8236                                      | 8436                                   | 8436DX  |
| 42" (1067mm) | 8142                              | 8242                                      | 8442                                   | 8442DX  |
| 48" (1219mm) | 8148                              | 8248                                      | 8448                                   | 8448DX  |

Special length Gen4 Standard Ion Air Knives and unlimited system lengths are available. Please contact our factory.

## Universal Air Knife Mounting System

EXAIR's Universal Air Knife Mounting System allows easy positioning of all EXAIR Air Knives. See page 29 for details.

**GO GREEN**  
**SAVE MONEY**

Order EXAIR's EFC™ electronic flow control to minimize compressed air use. See page 7 for details.



# GEN4<sup>®</sup> Ionizing Bars

Low cost **GEN4<sup>®</sup>** Ionizing Bars eliminate static cling!

Compact, rugged design for industrial applications!



## What Is The **GEN4** Ionizing Bar?



EXAIR's Gen4 Ionizing Bar is engineered to perform up to 25% better than previous models for applications where the bar is mounted within 2" of the surface it is treating. It has also been designed to perform well 100% farther away by providing static elimination up to 4" from a charged surface. Gen4 Ionizing Bars eliminate static electricity on paper, film and plastics that can attract dust and foreign materials, ruin product appearance, produce tearing or jamming, and zap personnel. The electrically powered Gen4 Ionizing Bar is compact, allowing it to fit in the confined spaces of machinery where the charge is generated. A high concentration of positive and negative ions produce fast static decay, neutralizing any surface within 4" (102mm) of the bar.

## Why The **GEN4** Ionizing Bar?

The unique design of the shockless Gen4 Ionizing Bar offers improved performance and reliability in industrial applications. Life expectancy has been extended by insertion molding the stainless steel ion emitters into a durable engineered polymer. There are no openings or grooves to accumulate dirt that could cause shorting or arcing. A 5kV power source provides high performance, eliminating frequent burnouts commonly associated with traditional 7kV bars.

The Gen4 Ionizing Bar includes a five foot shielded cable with ground. A mounting flange is provided for easy installation and all components are fully assembled. Standard lengths up to 108" (2743mm) are available from stock and special lengths up to 118" (3m) are available by special order. EXAIR Model 7960 or 7961 Gen4 Power Supply (5kV) is required for bar operation.

The ability to eliminate static can be greatly improved when attaching the Super Air Knife to the Gen4 Ionizing Bar. The Gen4 Super Ion Air Knife propels the static neutralizing ions over a larger area which is ideal for high speed, high charge applications. Air delivery can also remove dust and clean the product surface.

### Applications

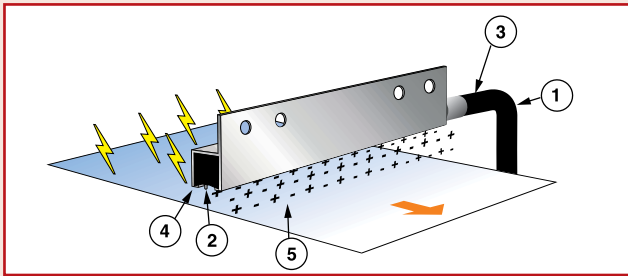
- Labeling
- Bag making - form and fill
- Neutralizing shrink wrap
- Sheet fed and web presses
- Packaging
- Converting machinery
- Neutralizing slitting operations
- Textiles
- Screen printing

### Advantages

- Significantly improved performance when positioned 2" or closer to a surface
- Effective up to 4" (102mm)
- Rugged metal armored and electromagnetically shielded cable
- Integrated ground eliminates additional ground connection
- Durable stainless steel connections to Power Supply
- Low cost
- Rapid static decay
- Compact
- Shockless, non-radioactive
- Rugged design for industrial environments
- Easy to install, equipped with mounting flange
- Low maintenance
- Fully assembled

# GEN4® Ionizing Bars

## How The GEN4 Ionizing Bar Works



The electromagnetically shielded power cable (1) carries the 5kVrms power supply output to each inductively coupled stainless steel emitter point (2) of the Gen4 Ionizing Bar.

An integrated ground wire (3) within the power cable creates a discharge path from the emitter points to the bar channel (4). The discharge at each emitter charges the molecules of the gases of the surrounding room air, resulting in a shower of ions that are positively and negatively charged (5). If the material surface has a negative charge, it will attract the positive ions from the Gen4 Ionizing Bar and become balanced or neutralized. If the material surface has a positive charge, it will attract the negative ions from the Gen4 Ionizing Bar to become balanced or neutralized.

The voltage potential at each emitter is high enough to ionize the surrounding air without generating a shock when any of the emitters are touched.

## GEN4 Ionizing Bar Specifications

EXAIR Model 7960 or 7961 Gen4 Power Supply (5kV) is required for Gen4 Ionizing Bar operation. See page 142 for details.

**Certifications:** Gen4 Ionizing Bars and Gen4 Power Supplies are UL Component Recognized to U.S. and Canadian safety standards, and are CE and RoHS compliant.



**Electrical:** For use with 5 kVrms, 5 milliamperes (max.) power supply.

**Electrical Hazard:** Gen4 Ionizing Bars are shockless (less than 40 microamperes short circuited).

**Do not use near flammable materials or gases.**

### Materials of Construction

**Metal Parts:** Aluminum  
**Plastic Parts:** UL rated 94 HB  
**Emitters:** Stainless Steel

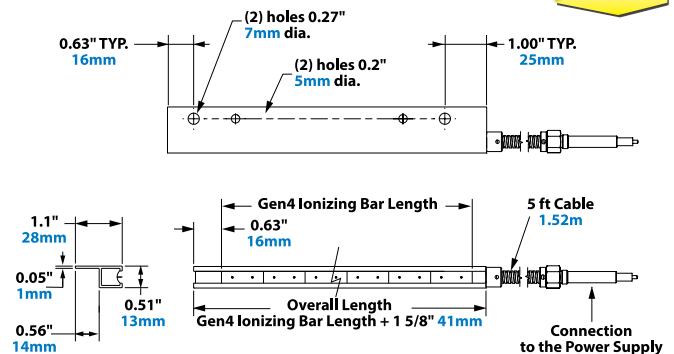
**Maximum Ambient Temperature:** 165°F (74°C)

## GEN4 Ionizing Bar Performance

|                           | Distance From Charged Surface |              |              |              |               |
|---------------------------|-------------------------------|--------------|--------------|--------------|---------------|
|                           | 0.50"<br>(13mm)               | 1"<br>(25mm) | 2"<br>(51mm) | 3"<br>(76mm) | 4"<br>(102mm) |
| Dissipates 5kV* (seconds) | 0.1                           | 0.14         | 0.29         | 0.53         | 0.96          |

\* Multiple different length Ionizing Bars tested (3"-48").

## GEN4 Ionizing Bar Dimensions



## GEN4 Ionizing Bars

Gen4 Ionizing Bars - include a 5' (1.52m) length of armored and electromagnetically shielded cable and assembled connector. For other cable lengths, please contact the factory.

| Length        | Gen4 Ionizing Bar Models |
|---------------|--------------------------|
| 3" (76mm)     | 8003                     |
| 6" (152mm)    | 8006                     |
| 9" (229mm)    | 8009                     |
| 12" (305mm)   | 8012                     |
| 18" (457mm)   | 8018                     |
| 24" (610mm)   | 8024                     |
| 30" (762mm)   | 8030                     |
| 36" (914mm)   | 8036                     |
| 42" (1067mm)  | 8042                     |
| 48" (1219mm)  | 8048                     |
| 54" (1372mm)  | 8054                     |
| 60" (1524mm)  | 8060                     |
| 72" (1829mm)  | 8072                     |
| 84" (2134mm)  | 8084                     |
| 96" (2438mm)  | 8096                     |
| 108" (2743mm) | 80108                    |

### Accessories and Components

| Model # | Description   |
|---------|---|
| 7960    | 2 Outlet Selectable Voltage Gen4 Power Supply (115V, 230V, 50/60Hz) |
| 7961    | 4 Outlet Selectable Voltage Gen4 Power Supply (115V, 230V, 50/60Hz) |
| 7905    | Static Meter  |



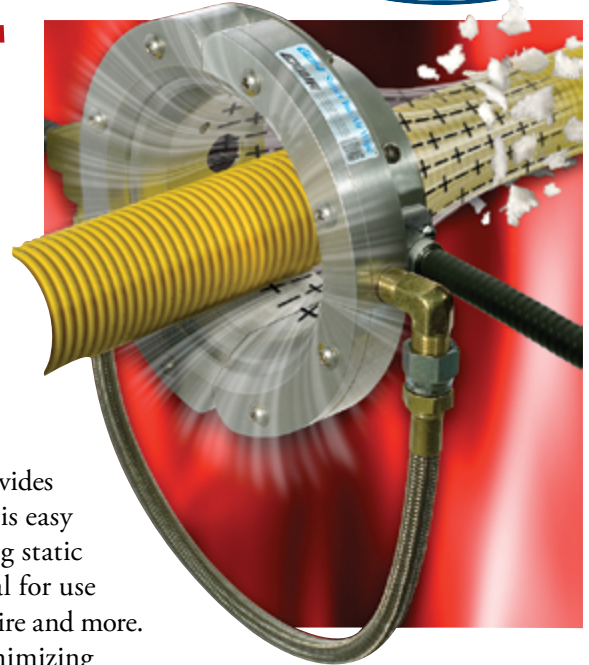
Model 8006 6" (152mm) Gen4 Ionizing Bar and Model 7960 Gen4 Power Supply.

Special length Gen4 Ionizing Bars up to 118" (3m) are available. Please contact our factory.

# GEN4® Super Ion Air Wipe™

Ring of ionized airflow clamps around the part!

Neutralizes and cleans continuous moving surfaces!



## What Is The GEN4 Super Ion Air Wipe?



EXAIR's Gen4 Super Ion Air Wipe provides a uniform 360° ionized airstream that is easy to clamp around a part for eliminating static electricity and contaminants. It is ideal for use on pipe, cable, extruded shapes, hose, wire and more. It maximizes ionized airflow while minimizing compressed air consumption.

## Why The GEN4 Super Ion Air Wipe?

The Gen4 Super Ion Air Wipe provides total coverage of the part moving through it. The high volume, high velocity flow attaches itself to the surface and wipes it down with the static eliminating ions. The airflow stays attached to the surface and is effective up to 15' (4.6m) away from where the Gen4 Super Ion Air Wipe is mounted. An optional pressure regulator provides infinite control of the air volume and velocity. Increasing the pressure increases the forceful wiping action. Lower pressures provide excellent coverage with much lower force and velocity.

The Gen4 Super Ion Air Wipe is the easy way to provide uniform coverage around a continuously moving material. The hinged design, allowing the Air Wipe to open,

makes threading continuous wire, tube or extrusions unnecessary. Arranging a series of other ionizers around the surface would provide uneven airflow and prove to be costly. The split design of the Gen4 Super Ion Air Wipe solves that problem by making it easy to clamp around the surface of the material moving through it, eliminating the need for threading or several ionizers.

The Gen4 Super Ion Air Wipe is lightweight and easy to mount using the tapped holes on the back. It can also be held in place with rigid pipe. Coupling brackets that hold each half of the Gen4 Super Ion Air Wipe together are provided which can be installed or removed quickly if required.

Static Eliminators

## Applications

- Clean and neutralize extrusions
- Neutralizing pipe, tubing, wire
- Cleaning molded parts
- Neutralizing static for quality printing
- Pre-paint dust removal
- Remove chips, shavings and sawdust
- Container neutralization

## Advantages

- Low air consumption
- Rapid static decay
- Quiet
- Shockless, non-radioactive
- Compact, rugged, easy to install
- No moving parts - low maintenance
- Variable force and flow
- Electromagnetically shielded high voltage cable
- Armored high voltage cable protects against abrasion, cuts
- Integrated ground design requires no separate ground connection
- Replaceable emitter points

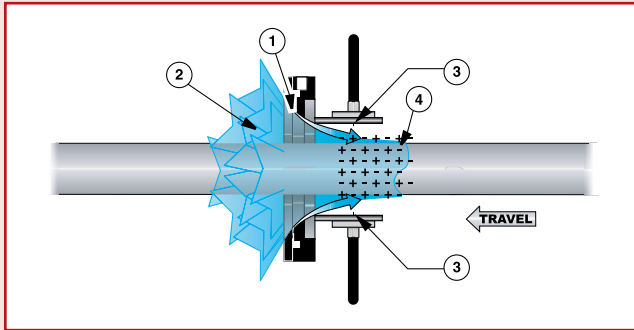


The split design unlatches easily to fit around the moving part - no threading required.



# GEN4® Super Ion Air Wipe

## How The GEN4 Super Ion Air Wipe Works



The Gen4 Super Ion Air Wipe incorporates a Super Air Wipe and a split ionizing collar, energized by a power supply. Compressed air is ejected through the small ring nozzle of the Super Air Wipe at high velocity (1). A conical 360° ring of air is created that induces high volumes of surrounding air (2). The airflow passes through the collar and is ionized by two replaceable emitter points (3). That high velocity, ionized airstream attaches itself to the surface of the material running through the Gen4 Super Ion Air Wipe (4), uniformly eliminating the static electricity and removing any contaminants from the surface.



Model 8462 Gen4 Super Ion Air Wipe Kit includes the Gen4 Super Ion Air Wipe, shim set, Model 7960 Gen4 Power Supply, filter separator and pressure regulator (with coupler).

Static Eliminators

## GEN4 Super Ion Air Wipe Specifications

EXAIR Model 7960 or 7961 Gen4 Power Supply (5kV) is required for Super Ion Air Wipe operation.

See page 142 for details.

**Certifications:** The Gen4 Super Ion Air Wipe and Gen4 Power Supply are UL Component Recognized to U.S. and Canadian safety standards, and are CE and RoHS compliant.



**Electrical:** For use with 5 kVrms, 5 milliamperes (max.) power supply.



**Electrical Hazard:** Shockless (less than 40 microamperes short circuited).



**Do not use near flammable materials or gases.**

### Materials of Construction

**Metal Parts:** Aluminum **Emitter:** Stainless Steel

**Plastic Parts:** UL rated 94 HB

**Maximum Ambient Temperature:** 165°F (74°C)

**Shims:** Thicker shims can be installed easily if additional hard-hitting velocity is required. See “shim sets” page 41.

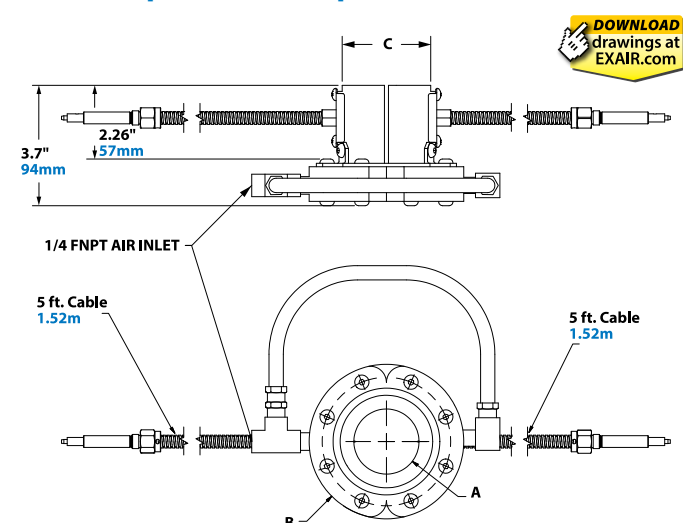
**Compressed Air:** 1/4 NPT inlet provided.

## GEN4 Super Ion Air Wipe Performance

|       | 80 PSIG (5.5 BAR) | Air Consumption |     | Sound Level | Dissipates 5kV* |
|-------|-------------------|-----------------|-----|-------------|-----------------|
| Model | SCFM              | SLPM            | dBa | SECONDS     |                 |
| 8162  | 29.5              | 835             | 77  | 0.20        |                 |
| 8164  | 50.2              | 1,422           | 81  | 0.20        |                 |

\* 12" (305mm) from target.

## GEN4 Super Ion Air Wipe Dimensions



| Model | A          | B             | C             |
|-------|------------|---------------|---------------|
| 8162  | 2" (51mm)  | 4.75" (121mm) | 2.7" (69mm)   |
| 8164  | 4" (102mm) | 6.75" (171mm) | 4.72" (120mm) |

| GEN4 Super Ion Air Wipe |  |
|-------------------------|--|
| Model #                 | Description  |
| 8162                    | 2" (51mm) Gen4 Super Ion Air Wipe                        |
| 8164                    | 4" (102mm) Gen4 Super Ion Air Wipe                       |
| 8262                    | 2" (51mm) Gen4 Super Ion Air Wipe and Gen4 Power Supply  |
| 8264                    | 4" (102mm) Gen4 Super Ion Air Wipe and Gen4 Power Supply |

| GEN4 Super Ion Air Wipe Kits  |  |
|---|--|
| Kits include a Gen4 Super Ion Air Wipe, shim set, Model 7960 Gen4 Power Supply, filter separator and pressure regulator (with coupler). |  |
| Model #   | Description                            |
| 8462  | 2" (51mm) Gen4 Super Ion Air Wipe Kit  |
| 8464  | 4" (102mm) Gen4 Super Ion Air Wipe Kit |

| Accessories and Components |   |
|----------------------------|---|
| Model #                    | Description   |
| 7960                       | 2 Outlet Selectable Voltage Gen4 Power Supply (115V, 230V, 50/60Hz) |
| 7961                       | 4 Outlet Selectable Voltage Gen4 Power Supply (115V, 230V, 50/60Hz) |
| 9001                       | Auto Drain Filter Separator, 3/8 NPT, 65 SCFM (1,841 SLPM)          |
| 9008                       | Pressure Regulator with Gauge, 1/4 NPT, 50 SCFM (1,415 SLPM)        |
| 7905                       | Static Meter  |



# GET4® Ion Air Cannon™

Quiet, efficient, concentrated flow of ionized air removes static and dust!

## What Is The GET4 Ion Air Cannon?



EXAIR's Gen4 Ion Air Cannon neutralizes static electricity and cleans at distances up to 15 feet (4.6m) with no moving parts. It is ideal for those hard to reach spaces or confined areas that require a concentrated flow of static eliminating ions. With an optional pressure regulator, the air volume and velocity are infinitely adjustable over a wide range, for light to heavy duty applications.

## Why The GET4 Ion Air Cannon?

The Gen4 Ion Air Cannon will **maximize ionized airflow while minimizing compressed air consumption**. A small amount of compressed air is used to entrain a high volume flow of surrounding air. This combined stream is ionized by an emitter point (shockless) and delivered to the charged surface. A hose or tube can be connected to the air intake of the Gen4 Ion Air Cannon to draw quality air from another area. It requires only 10 PSIG (0.7 BAR) for most applications.

The compact design saves bench space and allows mounting in confined areas. The sturdy stand is pre-drilled and can be wall, bench or machine mounted. It incorporates a swivel adjustment for directing the airflow.

EXAIR's EFC (*shown on page 7*) is an electronic flow control for compressed air. For production lines, it can sense when no part is present and will automatically turn off the compressed air to the Gen4 Ion Air Cannon until the next part moves into position.

### Applications

- Bag opening - form and fill
- Clean and neutralize parts
- Neutralizing shrink wrap
- Cleaning molded parts
- Removing static on assemblies
- Pre-paint dust removal
- Neutralizing slitting operations
- Package cleaning
- Container neutralization

### Advantages

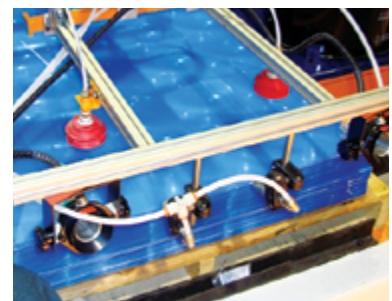
- Electromagnetically shielded high voltage cable
- Armored high voltage cable protects against abrasion, cuts
- Integrated ground design requires no separate ground connection
- Replaceable emitter point
- Low air consumption
- Rapid static decay
- Quiet
- Shockless, non-radioactive
- Compact, rugged, easy to install
- Intake can be ducted
- No moving parts - low maintenance
- Variable force and flow



The Model 8292 Gen4 Ion Air Cannon System eliminates the static and dust prior to filling the bottles.



(3) Gen4 Ion Air Cannons blow contaminants from car bodies prior to painting.

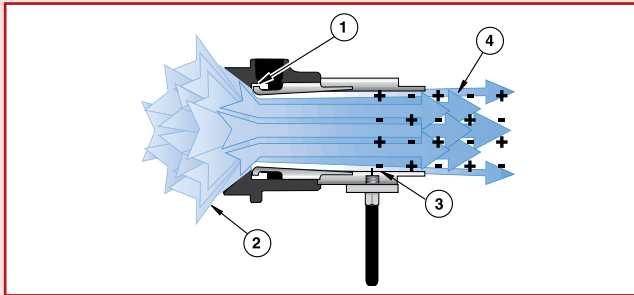


Model 8192 Gen4 Ion Air Cannons provide static elimination in between solar panel lenses to assist separation of the lenses during production.

Static Eliminators

# GEN4® Ion Air Cannon

## How The GEN4 Ion Air Cannon Works



The Gen4 Ion Air Cannon incorporates a Super Air Amplifier\* and ionizing collar, energized by a power supply. A small amount of compressed air is injected into the barrel of the cannon (1) inducing a high volume flow of surrounding air to flow through it (2). A replaceable emitter point at the discharge end of the cannon (3) ionizes the entire airstream. The result is a high volume, conical flow of ionized air (4) capable of eliminating static and cleaning at distances up to 15 feet (4.6m). Because more than 90% of the ionized air is induced, the Gen4 Ion Air Cannon produces maximum airflow at minimum air consumption.

\*Patent #5402938

## GEN4 Ion Air Cannon Specifications

EXAIR Model 7960 or 7961 Gen4 Power Supply (5kV) is required for Gen4 Ion Air Cannon operation.

See page 142 for details.

**Certifications:** The Gen4 Ion Air Cannon and Gen4 Power Supply are UL Component Recognized to U.S. and Canadian safety standards, and are CE and RoHS compliant.



**Electrical:** For use with 5 kVrms, 5 milliamperes (max.) power supply.

**Electrical Hazard:** Shockless (less than 40 microamperes short circuited).

**Do not use near flammable materials or gases.**

**Materials of Construction:**

**Metal Parts:** Aluminum

**Plastic Parts:** UL rated 94 HB

**Emitter:** Stainless Steel

**Maximum Ambient Temperature:** 165°F (74°C)

**Shims:** Thicker shims can be installed easily if additional hard-hitting velocity is required. See page 49.

**Compressed Air:** 3/8 NPT inlet provided.

## GEN4 Ion Air Cannon Performance

| Pressure Supply |     | Air Consumption |      | Sound Level | Dissipates 5kV* |
|-----------------|-----|-----------------|------|-------------|-----------------|
| PSIG            | BAR | SCFM            | SLPM | dBA         | SECONDS         |
| 20              | 1.4 | 5.7             | 161  | 58          | 0.75            |
| 40              | 2.8 | 9               | 255  | 64          | 0.6             |
| 60              | 4.1 | 12.2            | 345  | 70          | 0.5             |
| 80              | 5.5 | 15.5            | 439  | 72          | 0.43            |
| 100             | 6.9 | 18.7            | 529  | 74          | 0.37            |

\* 12" (305mm) from target. For airflow pattern, see Super Air Amplifier on page 49.



Model 8492 Gen4 Ion Air Cannon Kit includes the Gen4 Ion Air Cannon, shim set, Model 7960 Gen4 Power Supply, filter separator and pressure regulator (with coupler).

Static Eliminators

### GEN4 Ion Air Cannon

| Model # | Description   |
|---------|---|
| 8192    | Gen4 Ion Air Cannon includes Super Air Amplifier, Emitter, Stand, and 5' (1.52m) length of armored and electromagnetically shielded cable |
| 8292    | Gen4 Ion Air Cannon and Gen4 Power Supply   |
| 8492    | Gen4 Ion Air Cannon Kit (see image above)   |

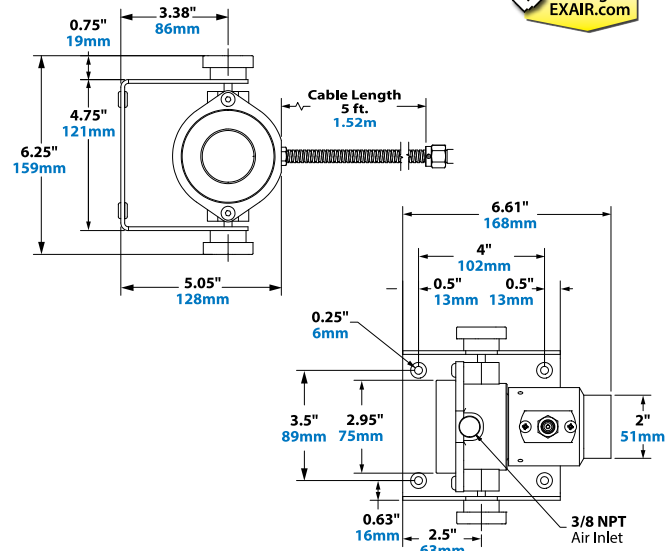
### GEN4 Deluxe Ion Air Cannon Kits

| Model # | Description  |
|---------|--|
| 8492DX  | Kits include a Gen4 Ion Air Cannon, EFC, shim set, Model 7960 Gen4 Power Supply, filter separator and pressure regulator (with coupler). |

### Accessories and Components

| Model # | Description   |
|---------|---|
| 7960    | 2 Outlet Selectable Voltage Gen4 Power Supply (115V, 230V, 50/60Hz) |
| 7961    | 4 Outlet Selectable Voltage Gen4 Power Supply (115V, 230V, 50/60Hz) |
| 9001    | Auto Drain Filter Separator, 3/8 NPT, 65 SCFM (1,841 SLPM)          |
| 9008    | Pressure Regulator with Gauge, 1/4 NPT, 50 SCFM (1,415 SLPM)        |
| 7905    | Static Meter  |

## GEN4 Ion Air Cannon Dimensions





# GET4® Ion Air Gun™

Rugged, ergonomic static eliminating gun that is a lightweight, effective spot cleaner!

## What Is The GET4 Ion Air Gun?



EXAIR's Gen4 Ion Air Gun combines incredibly fast static decay rates with low compressed air consumption. It is the ideal way to remove static, contaminants and dust from three dimensional parts prior to assembly, packaging, painting or finishing. The Gen4 Ion Air Gun neutralizes static electricity and cleans at distances up to 15 feet (4.6m).



## Why The GET4 Ion Air Gun?

The Gen4 Ion Air Gun induces surrounding airflow through the gun at a ratio of 5:1, minimizing compressed air usage and maximizing ionized airflow. The force can be adjusted from a "blast" to a "breeze". A comfortable grip and hand position allows hours of continuous use without fatigue.

The Gen4 Ion Air Gun is quiet, lightweight and features a hanger hook for easy storage. The 10 foot (3m) armored and electromagnetic shielded power cable is extremely flexible, designed for rugged industrial use.

Static Eliminators



The Model 8293 Gen4 Ion Air Gun cleaning artwork and glass prior to framing.

### Applications

- Pre-paint dust removal
- Clean and neutralize three dimensional parts
- Removing dust from optics
- Cleaning molded parts
- Photo finishing
- Lens cleaning
- Furniture finishing
- Package cleaning
- Container neutralization

### Advantages

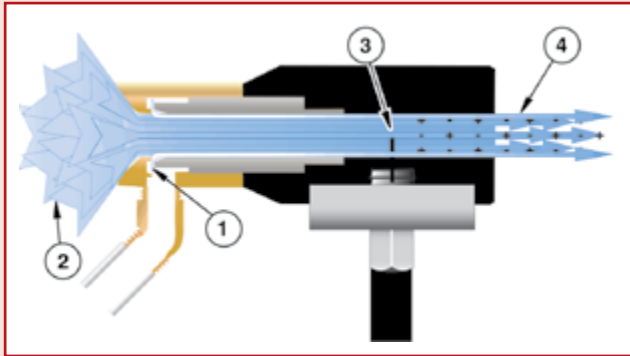
- Electromagnetically shielded high voltage cable
- Armored high voltage cable protects against abrasion, cuts
- Integrated ground design requires no separate ground connection
- Replaceable emitter point
- Rugged, lightweight, easy to use
- Rapid static decay
- Low air consumption
- Quiet
- Shockless, non-radioactive
- Strong blowoff force and flow
- Low maintenance
- Meets OSHA pressure and noise level requirements



The Model 8293 Gen4 Ion Air Gun neutralizes and cleans plastic bottles prior to labeling.

# GET4® Ion Air Gun

## How The GET4 Ion Air Gun Works



The Gen4 Ion Air Gun incorporates a High Velocity Air Jet and electrically energized emitter point. A small amount of compressed air is injected into the air jet (1) inducing high volume flow of surrounding air (2) to pass through it.

The emitter point (shockless) at the discharge end of the gun (3) ionizes the entire airstream. The result is a high volume flow of ionized air (4) capable of neutralizing high static charges in fractions of a second. An optional filter and regulator clean the compressed air and allow infinite adjustment of airflow and velocity.

## GET4 Ion Air Gun Specifications

**EXAIR Model 7960 or 7961 Gen4 Power Supply (5kV) is required for Gen4 Ion Air Gun operation.** See page 142 for details.

**Certifications:** The Gen4 Ion Air Gun and Gen4 Power Supply are UL Component Recognized to U.S. and Canadian safety standards, and are CE and RoHS compliant.



**Electrical:** For use with 5 kVrms, 5 milliamperes (max.) power supply.

**Electrical Hazard:** Shockless (less than 40 microamperes short circuited).

**Do not use near flammable materials or gases.**

**Materials of Construction:**

**Metal Parts:** Brass, Zinc and Stainless Steel

**Plastic Parts:** UL rated 94 HB

**Emitter:** Stainless Steel

**Maximum Ambient Temperature:** 165°F (74°C)

**Compressed Air:** 1/4 NPT inlet provided.

## GET4 Ion Air Gun Performance

| Pressure Supply |     | Air Consumption |      | Sound Level | Dissipates 5kV* |
|-----------------|-----|-----------------|------|-------------|-----------------|
| PSIG            | BAR | SCFM            | SLPM | dBA         | SECONDS         |
| 20              | 1.4 | 7.4             | 209  | 67          | 0.45            |
| 40              | 2.8 | 11.5            | 325  | 74          | 0.33            |
| 60              | 4.1 | 15.8            | 447  | 79          | 0.24            |
| 80              | 5.5 | 22.0            | 622  | 82          | 0.18            |
| 100             | 6.9 | 24.0            | 679  | 85          | 0.18            |

\*6" (152mm) from target. For airflow pattern, see Model 6013 High Velocity Air Jet on page 61.

Static Eliminators



Model 8493 Gen4 Ion Air Gun Kit includes the Gen4 Ion Air Gun, Model 7960 Gen4 Power Supply, filter separator and pressure regulator (with coupler).



80% of the delivered air is induced, minimizing air consumption of the Gen4 Ion Air Gun.

### GET4 Ion Air Gun

| Model # | Description   |
|---------|---|
| 8193    | Gen4 Ion Air Gun Only includes 10' (3m) shielded cable*   |
| 8293    | Gen4 Ion Air Gun and Gen4 Power Supply  |
| 8493    | Gen4 Ion Air Gun Kit includes the Gen4 Ion Air Gun, Model 7960 Gen4 Power Supply, filter separator and pressure regulator (with coupler). |

\* For special length cables, please contact the factory.

### Accessories and Components

| Model # | Description   |
|---------|---|
| 7960    | 2 Outlet Selectable Voltage Gen4 Power Supply (115V, 230V, 50/60Hz) |
| 7961    | 4 Outlet Selectable Voltage Gen4 Power Supply (115V, 230V, 50/60Hz) |
| 9001    | Auto Drain Filter Separator, 3/8 NPT, 65 SCFM (1,841 SLPM)          |
| 9008    | Pressure Regulator with Gauge, 1/4 NPT, 50 SCFM (1,415 SLPM)        |
| 7905    | Static Meter  |

**Order Direct**  
**We Ship From Stock**

# GEN4® Ion Air Jet™

**Air saving Gen4 Ion Air Jet is an effective spot cleaner!**  
**Choose permanent mount or flexible hose with base!**

## What Is The GEN4 Ion Air Jet?



EXAIR's Gen4 Ion Air Jet delivers a concentrated airflow that can cover a precise spot without disturbing other areas. This quiet, focused airstream provides incredibly fast static decay rates and cleaning ability. The Gen4 Ion Air Jet is the ideal way to remove static and dust from small parts prior to shrink wrapping, packaging, printing, painting or finishing.

## Why The GEN4 Ion Air Jet?

The Gen4 Ion Air Jet induces surrounding airflow at a ratio of 5:1, minimizing compressed air use and maximizing ionized airflow. Force can be adjusted from a “blast” to a “breeze”.

## Your Choice Of Permanent Mount or Flexible Stay Set Hose™

For permanent mount applications, the compact Gen4 Ion Air Jet is the best choice since it is lightweight and easy to install using the 1/8 NPT male inlet. For applications where frequent repositioning is required, the flexible Gen4 Stay Set Ion Air Jet™ is ideal. This version can be placed in close proximity and the hose bent to aim the ionized airstream at the localized area. Since the hose has “memory” it will not creep or bend, always keeping the aim until physically moved to the next position.

The Gen4 Stay Set Ion Air Jet comes complete with a magnetic base that allows easy mounting and portability on a machine, a bench or other surface. A shutoff valve on the base provides infinite control of the force and flow.

### Applications

- Three dimensional parts
- Bottle cleaning
- Screen printing
- Shrink bands
- Ink jet printing
- Part cleaning
- Package cleaning

### Advantages

- Low cost
- Rapid static decay
- Quiet
- Shockless, non-radioactive
- Electromagnetically shielded high voltage cable
- Armored high voltage cable protects against abrasion, cuts
- Integrated ground design requires no separate ground connection
- Replaceable emitter point
- Compact, rugged, easy to install
- Stay Set Hose for accurate placing
- Low air consumption



The Model 8294 Gen4 Ion Air Jet with Gen4 Power Supply neutralizes static and removes dust from a counting sensor window on a tablet production machine.



The Model 8194-9362 Gen4 Stay Set Ion Air Jet Kit cleans dust from a glass lens prior to installation on a gauge.

Static Eliminators



The Gen4 Model 8910 Instant Static Elimination Station removes contaminants on plastic fittings prior to packaging.



# GEN4® Ion Air Jet

## How The GEN4 on Air Jet Works

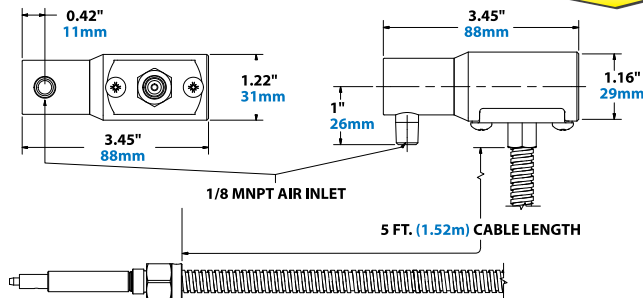
The Gen4 Ion Air Jet functions the same as the Gen4 Ion Air Gun without the blowgun handle. For details on how it works, see page 138 "How The Gen4 Ion Air Gun Works".

## GEN4 Ion Air Jet Performance

| Pressure Supply |     | Air Consumption |      | Sound Level | Dissipates 5kV* |
|-----------------|-----|-----------------|------|-------------|-----------------|
| PSIG            | BAR | SCFM            | SLPM | dBA         | SECONDS         |
| 20              | 1.4 | 7.4             | 209  | 67          | 0.45            |
| 40              | 2.8 | 11.5            | 325  | 74          | 0.33            |
| 60              | 4.1 | 15.8            | 447  | 79          | 0.24            |
| 80              | 5.5 | 22.0            | 622  | 82          | 0.18            |
| 100             | 6.9 | 24.0            | 679  | 85          | 0.18            |

\*6" (152mm) from target. For airflow pattern, see Model 6013 High Velocity Air Jet on page 61.

## GEN4 Ion Air Jet Dimensions



Static Eliminators

### GEN4 Ion Air Jet

| Model # | Description  |
|---------|--|
| 8194    | Gen4 Ion Air Jet Only includes 5' (1.52m) armored and electromagnetically shielded cable*                |
| 8294    | Gen4 Ion Air Jet and Gen4 Power Supply   |
| 8494    | Gen4 Ion Air Jet Kit includes Gen4 Power Supply, filter separator and pressure regulator (with coupler). |

### GEN4 Stay Set Ion Air Jet

| Model #   | Description   |
|-----------|---|
| 8194-9362 | Gen4 Stay Set Ion Air Jet includes 5' (1.52m) armored and electromagnetically shielded cable*, one outlet magnetic base with shutoff valve and 12" (305mm) Stay Set Hose. |
| 8294-9362 | Gen4 Stay Set Ion Air Jet and Model 7960 Gen4 Power Supply (115V, 230V, 50/60Hz)  |
| 8494-9362 | Gen4 Stay Set Ion Air Jet Kit (see detail at right)   |
| 8495-9362 | Gen4 Deluxe Stay Set Ion Air Jet Kit (see detail at right)  |
| 8910      | Gen4 Instant Static Elimination Station (see detail at right)   |

\*For special length cables, please contact the factory.

### Accessories and Components

| Model # | Description   |
|---------|---|
| 7960    | 2 Outlet Selectable Voltage Gen4 Power Supply (115V, 230V, 50/60Hz) |
| 7961    | 4 Outlet Selectable Voltage Gen4 Power Supply (115V, 230V, 50/60Hz) |
| 9001    | Auto Drain Filter Separator, 3/8 NPT, 65 SCFM (1,841 SLPM)          |
| 9008    | Pressure Regulator with Gauge, 1/4 NPT, 50 SCFM (1,415 SLPM)        |
| 7905    | Static Meter  |

## GEN4 Ion Air Jet Specifications

**EXAIR Model 7960 or 7961 Gen4 Power Supply (5kV) is required for Gen4 Ion Air Jet operation.** See page 142 for details.

**Certifications:** The Gen4 Ion Air Jet and Gen4 Power Supply are UL Component Recognized to U.S. and Canadian safety standards, and are CE and RoHS compliant.



**Electrical:** For use with 5 kVrms, 5 milliamperes (max.) power supply.

**Electrical Hazard:** Shockless (less than 40 microamperes short circuited).

**Do not use near flammable materials or gases.**

### Materials of Construction

**Metal Parts:** Brass and Stainless Steel

**Plastic Parts:** UL rated 94 HB

**Emitter:** Stainless Steel

**Maximum Ambient Temperature:** 165°F (74°C)

**Compressed Air:** 1/8 NPT inlet provided on Gen4 Ion Air Jet.

1/4 NPT inlet provided on Gen4 Stay Set Ion Air Jet.



**Model 8194 Gen4 Ion Air Jet Kit** includes the Gen4 Ion Air Jet, Model 7960 Gen4 Power Supply, filter separator and pressure regulator (with coupler).



**Model 8494-9362 Gen4 Stay Set Ion Air Jet Kit** includes the Gen4 Stay Set Ion Air Jet, Model 7960 Gen4 Power Supply, filter separator and pressure regulator (with coupler).



**Model 8910 Gen4 Instant Static Elimination Station** includes the Gen4 Stay Set Ion Air Jet, Model 7960 Gen4 Power Supply and (2) 10' (3m) hoses.



**Model 8495-9362 Gen4 Deluxe Stay Set Ion Air Jet Kit** includes the Gen4 Stay Set Ion Air Jet, Model 7960 Gen4 Power Supply, filter separator and pressure regulator (with coupler) and 10' (3m) hose.

## GET4<sup>®</sup> Ionizing Point™

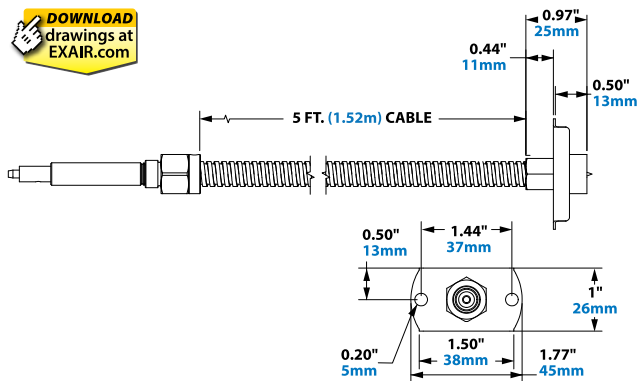
### Single point ionizer for spot neutralization!

#### What Is The GET4 Ionizing Point?

EXAIR's Gen4 Ionizing Point is a compact, single point ionizer ideal for winding, rewinding or slitting operations. It can also be mounted through a duct to neutralize static charges due to moving air or materials.

The shockless Gen4 Ionizing Point delivers a high concentration of positive and negative ions for fast static decay. It can neutralize any surface within 2" (51mm).

#### GET4 Ionizing Point Dimensions



#### GET4 Ionizing Point Performance

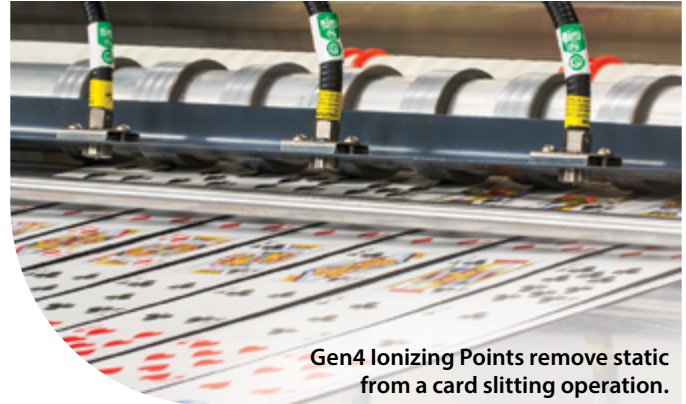
|                          | Distance From Charged Surface |           |           |
|--------------------------|-------------------------------|-----------|-----------|
|                          | 0.50" (13mm)                  | 1" (25mm) | 2" (51mm) |
| Dissipates 5kV (seconds) | 0.12                          | 0.18      | 0.24      |

#### Applications

- Winding
- Rewinding
- Slitting
- Neutralizing ducted air
- Labeling
- Form and Fill
- Neutralizing static for print quality.

#### Advantages

- Electromagnetically shielded high voltage cable
- Armored high voltage cable protects against abrasion, cuts
- Integrated ground design requires no separate ground connection
- Low cost
- Replaceable emitter point
- Rapid static decay
- Shockless
- Non-radioactive
- Compact



Gen4 Ionizing Points remove static from a card slitting operation.

#### GET4 Ionizing Point Specifications

EXAIR Model 7960 or 7961 Gen4 Power Supply (5kV) is required for Gen4 Ionizing Point operation.

See page 142 for details.

**Certifications:** The Gen4 Ionizing Point and Gen4 Power Supply are UL Component Recognized to U.S. and Canadian safety standards, and are CE and RoHS compliant.

**Electrical:** For use with 5 kVrms, 5 milliamperes (max.) power supply.

**Electrical Hazard:** Shockless (less than 40 microamperes short circuited).

**Do not use near flammable materials or gases.**

#### Materials of Construction

- Metal Parts:** Stainless Steel
- Plastic Parts:** UL rated 94 HB
- Emitter:** Stainless Steel

**Maximum Ambient Temperature:** 165°F (74°C)



Static Eliminators



The Model 8299 Gen4 Ionizing Point System includes the Gen4 Ionizing Point and Model 7960 Gen4 Power Supply.

#### GET4 Ionizing Point

| Model # | Description  |
|---------|--|
| 8199    | Gen4 Ionizing Point Only includes 5' (1.52m) shielded cable* |
| 8299    | Gen4 Ionizing Point System (see detail above)                |

\* For special length cables, please contact the factory.

#### Accessories and Components

| Model # | Description   |
|---------|---|
| 7960    | 2 Outlet Selectable Voltage Gen4 Power Supply (115V, 230V, 50/60Hz) |
| 7961    | 4 Outlet Selectable Voltage Gen4 Power Supply (115V, 230V, 50/60Hz) |
| 7905    | Static Meter  |

## GEN4® Power Supplies



Selectable Voltage:  
For use with all Gen4  
Static Eliminators!

### Why Use GEN4 Power Supplies?

The two and four outlet Gen4 Power supplies have selectable voltage which allows you to choose input voltages of 115VAC or 230VAC. The modular cable with electromagnetic shielding protects sensitive electronics against electromagnetic interference while easing connections and routing. An integrated fuse on the primary protects against voltage spikes.

### GEN4 Power Supplies

The Two and Four Outlet selectable voltage Gen4 Power Supplies require an input of 115VAC, 50/60 Hz or 230VAC, 50/60 Hz. A 6' (1.83m) modular power cord and lighted power switch are included. Power Supplies are UL Component Recognized to U.S. and Canadian safety standards, and are CE and RoHS compliant.



The Model 7960 Gen4 Power Supply has 115VAC or 230VAC selectable voltage, lighted power switch, integral fuse on the primary, electromagnetically shielded modular power cable and (2) 5kV outlets.



The Model 7961 Gen4 Power Supply has 115VAC or 230VAC selectable voltage, lighted power switch, integral fuse on the primary, electromagnetically shielded modular power cable and (4) 5kV outlets.



Static Eliminators

### GEN4 Power Supplies: Selectable Voltage

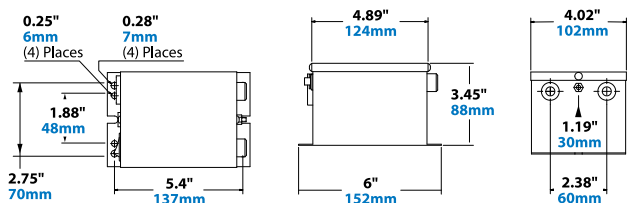
| Model # | Description   |
|---------|---|
| 7960    | 2 Outlet Selectable Voltage Gen4 Power Supply (115V, 230V, 50/60Hz) |
| 7961    | 4 Outlet Selectable Voltage Gen4 Power Supply (115V, 230V, 50/60Hz) |

### GEN4 Power Supply Dimensions

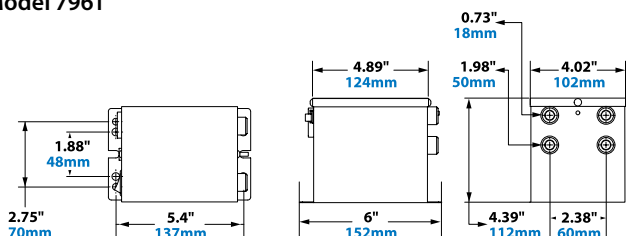
INPUT VOLTAGE: 115/230 VAC      OUTPUT VOLTAGE: 5000 Vrms  
INPUT CURRENT: .2/1 A MAX      OUTPUT CURRENT: 5 mA MAX  
FREQUENCY: 50/60 HZ



#### Model 7960



#### Model 7961



### Advantages

- Replaceable rocker switch
- Durable, stainless steel high voltage connections
- Selectable voltage 115VAC or 230VAC
- Electromagnetically shielded modular power cable
- Fuse protects against voltage spikes
- Modular power supply cable eases connections and routing.







## INTELLISTAT<sup>®</sup> Ion Air Gun<sup>™</sup>

Lightweight solution for static and particulate elimination in sensitive processes!

Rated Class 5 for clean rooms and controlled environments per ISO 14644-1

### What is the INTELLISTAT Ion Air Gun?

The patented Intellistat is the newest innovation in a long line of EXAIR static elimination solutions. This intelligent product utilizes balanced and ionized compressed air to neutralize static and remove troublesome particulates during clean processes, test procedures and sensitive assembly work. With a +/-30 volt offset, the Intellistat was designed to consume minimal compressed air while simultaneously delivering precise blowoff and exceptional static decay rates capable of reducing 5000 volts to less than 500 in under one second. The design hosts an efficient, low voltage transformer converting 120V to 24V to assure safety, while also utilizing an EXAIR engineered air nozzle ensuring it meets all OSHA requirements for sound level and dead-end pressure.



### Why the INTELLISTAT Ion Air Gun?

Coming equipped with a short-throw, fast acting and effortless trigger, the Intellistat's lightweight frame (less than 200 grams) allows extended use without fatigue, while also providing a dependable and low maintenance solution. The Model 8500 Intellistat Ion Air Gun is also fitted with handy features such as a 6mm air connection, red and green LED lights to signify ionized air is being produced, and a hook

for convenient hanging and storage. The 316SS emitter point is so simple to change, it can be completed in less than one minute. The housing is made of durable static dissipative polycarbonate to further minimize any potential for static electricity discharge around sensitive electronics, sensors or materials. It will produce clean, ionized compressed air essential for removing dust, static, or particulate contaminants in sterile environments such as laboratories, clean rooms, or for scientific testing.

EU Regd. Des. No. 00770318-0001  
Pat. D903,817  
©EXAIR LLC, Mexico No. 60723, Canada No. 194141

### Applications

- Precision parts assembly
- Maintain charge neutrality in laboratory processes
- Remove particles from parts and surfaces in clean environments
- Printed circuit board manufacturing
- Maintain cleanliness during electronics manufacturing and assembly
- Eliminating electrostatic discharge
- Remove debris from medical products
- Clean glass containers, slides and lenses

### Advantages

- Rapid static decay
- Low voltage operation
- Quick change emitter point
- Comfortable, short throw trigger for ionization
- Light weight for prolonged use
- OSHA safe air outlet
- LED indicators for proper and improper functionality

Static Eliminators

# INTELLISTAT® Ion Air Gun

## How The INTELLISTAT® Ion Air Gun Works



Pressing the full finger, short throw trigger (1) activates the static eliminating ions and airflow. Proper or improper functionality is indicated by a green or red LED (2).

The non-marring nozzle (3) provides quiet performance and OSHA compliance. A hanger hook (4) is included to keep the Intellistat conveniently stored.

Static Eliminators

## INTELLISTAT® Ion Air Gun Specifications

**Certifications:** The Intellistat Ion Air Gun is UL listed and CE and RoHS compliant.



**Power Supply Input:** 100-240V — 50/60 Hz 0.7A Max

**Power Supply Output:** EXAIR Model 902067 Power Supply (24VDC, 1.0A Max) is required for Intellistat Ion Air Gun operation. Included with Intellistat Ion Air Gun.



**Electrical Hazard:** Shockless  
(less than 40 microamperes short circuited)

**Do not use near flammable materials or gases.**

**Balance:** ±30V

**Size of Hand Unit:** 6-3/8"W x 6-3/4"L x 1"H

**Weight of Hand Unit:** 0.42 lbs

**Operating Temperature:** 32°F to 105°F (0-41°C)

**Do not use near flammable materials or gases.**

### Materials of Construction

**Plastic Parts:** Static Resistant Polycarbonate

**Emitters:** Stainless Steel

**Gas Input:** 30psi - 125psi  
Clean Dry Compressed Air or Nitrogen

**Air Connection:** 6mm tube

**Cleanroom Classification:** ISO 14644-1 Class 5, operational.

## INTELLISTAT® Ion Air Gun Performance

| Flow |     | Air Consumption |        | Sound Level |
|------|-----|-----------------|--------|-------------|
| PSIG | BAR | SCFM            | SLPM   | dBA         |
| 30   | 2.1 | 2.7             | 76.46  | 76          |
| 80   | 5.5 | 5.8             | 164.21 | 81          |

## INTELLISTAT® Ion Air Nozzle Force / Discharge Time

| Pressure Supply |     | Force* |      |       | Discharge Time** |                    |
|-----------------|-----|--------|------|-------|------------------|--------------------|
| PSIG            | BAR | LBS    | OZ   | GRAMS | SECONDS          |                    |
| 30              | 2.1 | 0.02   | 0.32 | 9.1   | 1.2              | 1000V down to 100V |
|                 |     |        |      |       | 1.2              | 5000V down to 500V |
| 80              | 5.5 | 0.1    | 1.6  | 45.4  | 0.6              | 1000V down to 100V |
|                 |     |        |      |       | 0.6              | 5000V down to 500V |

\* 12" (305mm) from target. \*\*Discharge rate taken from 1" away.

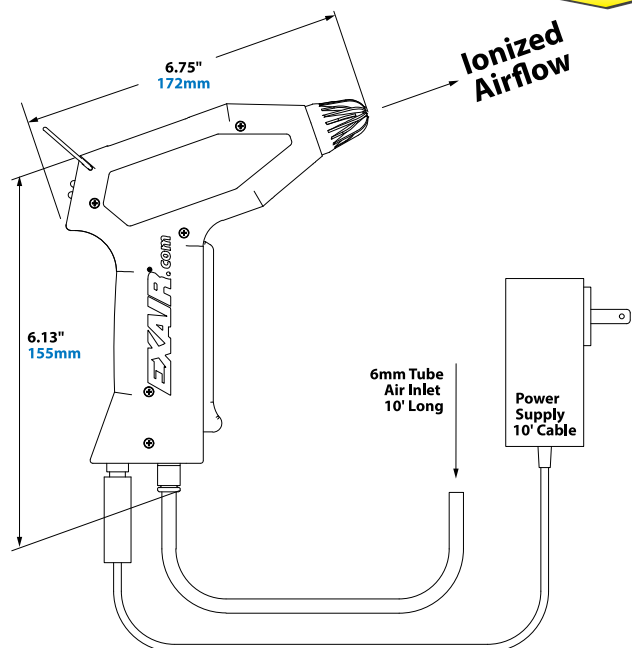
### Intellistat Ion Air Gun

| Model # | Description  |
|---------|--|
| 8500    | Intellistat Ion Air Gun includes 24VDC Power Supply with Power Cable and 10 feet x 6mm OD compressed air tubing. |

### Accessories and Components

| Model # | Description   |
|---------|---|
| 9004    | Automatic Drain Filter Separator, 1/4 NPT, 43 SCFM (1,218 SLPM) |
| 9008    | Pressure Regulator with Gauge, 1/4 NPT, 50 SCFM (1,415 SLPM)    |
| 7905    | Static Meter  |
| 902067  | 24VDC Power Supply  |

## Intellistat Ion Air Gun Dimensions





## INTELLISTAT<sup>®</sup> Ion Air Nozzle<sup>™</sup>

**A mountable nozzle for hands free static elimination at assembly stations and benchtop applications!**

**Rated Class 5 for clean rooms and controlled environments per ISO 14644-1**



### What is the INTELLISTAT<sup>®</sup> Ion Air Nozzle?

The patented Model 8505 Intellistat Ion Air Nozzle is EXAIR's latest hands-free innovation in a long line of static elimination solutions. This intelligent product provides a balanced ionized air stream to neutralize static and remove troublesome particulate during sensitive assembly work, test procedures and clean processes. With a +/-30 volt offset, the Intellistat nozzle was designed to use minimal compressed air while delivering a focused blowoff and exceptional static decay rates capable of reducing 1000 volts to 100 volts in 0.6 seconds. The design includes an efficient, low voltage transformer which converts 120VAC to 24V DC to assure safety. An EXAIR engineered air nozzle delivers the air well below the OSHA standards for noise exposure and dead-end pressure, which maintains safety compliance.



### Why the INTELLISTAT<sup>®</sup> Ion Air Nozzle?

Including a compact stainless steel adjustable mounting bracket, the Intellistat nozzle can be mounted to benchtops and machine frames, for example, to provide hands-free operation when needing both hands to package, test or assemble parts and products. The Intellistat Ion Air Nozzle is designed with other convenient features including a 6mm push-in air connection, and green and red LEDs which indicate proper functionality. The housing is made of durable static dissipative polycarbonate to further minimize any potential for static electricity discharge around sensitive electronics, sensors or materials. The Intellistat Ion Air Nozzle produces an ionized airstream that is essential for removing static, dust, debris and particulate in sterile environments such as pharmaceutical and medical laboratories, clean rooms and electronics labs.

EU Regd. Des. No. 009025463-0001  
UK Registered Design No. 6211314

Static Eliminators

#### Applications

- Precision parts assembly
- Maintain charge neutrality in laboratory processes
- Remove particles from parts and surfaces in clean environments
- PCB manufacturing

- Maintain cleanliness during electronics manufacturing, assembly and testing
- Eliminate electrostatic discharge
- Remove debris from medical products
- Clean lenses, glass containers and slides

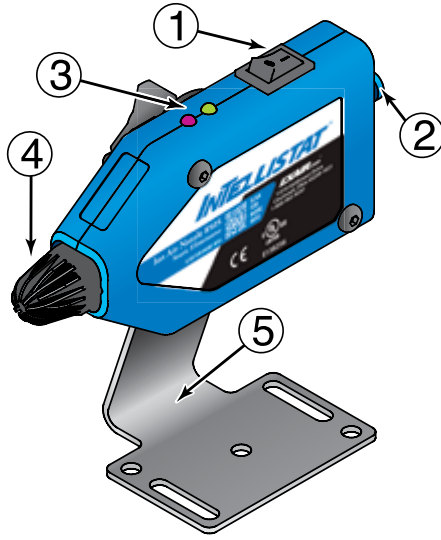
#### Advantages

- Mountable, hands-free operation
- Quick change emitter point
- Rapid static decay
- Low voltage operation
- OSHA safe air outlet and noise level
- LED indicators for proper and improper functionality



# INTELLISTAT<sup>®</sup> Ion Air Nozzle

## How The INTELLISTAT<sup>®</sup> Ion Air Nozzle Works



After connecting the 24V power supply, activate the power switch (1) and turn on a compressed air source to supply the 6mm push-in fitting (2) to activate the static eliminating ions and airflow. Proper or improper functionality is indicated by a green or red LED (3). The non-marring nozzle (4) provides quiet performance and OSHA compliance. The compact mounting bracket (5) is included to provide hands-free operation.

Static Eliminators

## INTELLISTAT<sup>®</sup> Ion Air Nozzle Specifications

**Certifications:** The Intellistat Ion Air Nozzle is UL listed and CE and RoHS compliant.



**Power Supply Input:** 100-240VAC — 50/60 Hz 0.7A Max

**Power Supply Output:** EXAIR Model 902067 Power Supply (24VDC, 1.0A Max) is required for Intellistat Ion Air Nozzle operation. Included with Intellistat Ion Air Nozzle.



**Electrical Hazard:** Shockless  
(less than 40 microamperes short circuited)

**Do not use near flammable materials or gases.**

**Balance:** ±30V

**Operating Temperature:** 32°F to 105°F (0-41°C)

**Do not use near flammable materials or gases.**

### Materials of Construction

**Plastic Parts:** Static Resistant Polycarbonate

**Emitters:** Stainless Steel

**Gas Input:** 30psig - 125psig Clean Dry Compressed Air or Nitrogen

**Air Connection:** 6mm tube

**Cleanroom Classification:** ISO 14644-1 Class 5, operational.

## INTELLISTAT<sup>®</sup> Ion Air Nozzle Performance

| Flow |     | Air Consumption |        | Sound Level |
|------|-----|-----------------|--------|-------------|
| PSIG | BAR | SCFM            | SLPM   | dBA         |
| 30   | 2.1 | 2.7             | 76.46  | 76          |
| 80   | 5.5 | 5.8             | 164.21 | 81          |

## INTELLISTAT<sup>®</sup> Ion Air Nozzle Force / Discharge Time

| Pressure Supply |     | Force* |      |       | Discharge Time** |                    |
|-----------------|-----|--------|------|-------|------------------|--------------------|
| PSIG            | BAR | LBS    | OZ   | GRAMS | SECONDS          |                    |
| 30              | 2.1 | 0.02   | 0.32 | 9.1   | 1.2              | 1000V down to 100V |
|                 |     |        |      |       | 1.2              | 5000V down to 500V |
| 80              | 5.5 | 0.1    | 1.6  | 45.4  | 0.6              | 1000V down to 100V |
|                 |     |        |      |       | 0.6              | 5000V down to 500V |

\* 12" (305mm) from target. \*\*Discharge rate taken from 1" away.

### INTELLISTAT<sup>®</sup> Ion Air Nozzle

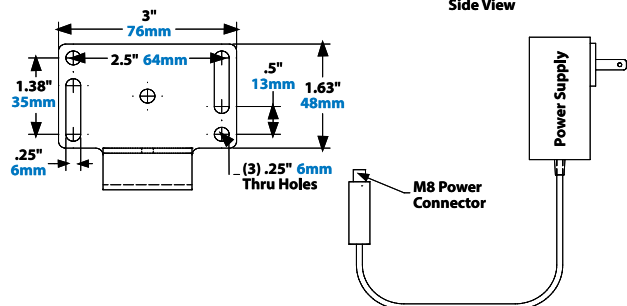
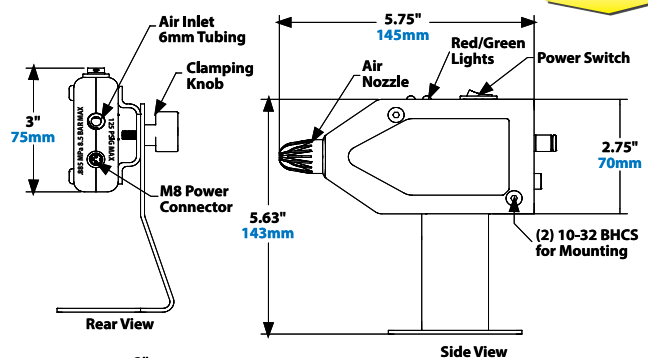
| Model # | Description   |
|---------|---|
| 8505    | Intellistat Ion Air Nozzle includes 24VDC Power Supply with Power Cable, 10 feet x 6mm OD compressed air tubing and mounting bracket. |

### Accessories and Components

| Model # | Description   |
|---------|---|
| 9004    | Automatic Drain Filter Separator, 1/4 NPT, 43 SCFM (1,218 SLPM) |
| 9008    | Pressure Regulator with Gauge, 1/4 NPT, 50 SCFM (1,415 SLPM)    |
| 7905    | Static Meter  |
| 902067  | 24VDC Power Supply  |

## INTELLISTAT<sup>®</sup> Ion Air Nozzle Dimensions

DOWNLOAD drawings at EXAIR.com





## VARISTAT Benchtop Ionizer™

### Mountable hands-free blower for static elimination at assembly stations and benchtop applications



#### What is the VARISTAT?

The EXAIR Varistat Benchtop Ionizer is a blower style static eliminator designed to neutralize static charges on surfaces in demanding industrial settings where static can become troublesome. With the help of ionizing technology, the Varistat supplies a constant stream of ion-balancing airflow to keep products static-free and particulate-free with hands-free operation and without the need of compressed air. Manually adjustable, the Varistat provides full coverage static elimination for workbenches, part assembly, web cleaning and more.

#### Why the VARISTAT?

The Varistat can be easily mounted on equipment or placed on workbenches to assist with consistent static neutralization. Capable of reducing 1000 volts to 100 volts in 0.8 seconds, the Varistat Ionizer removes surface static at a distance with incredible efficiency. The Varistat is engineered to fit various industrial applications and unique processes by offering customizable options such as an adjustable stand for mounting, selectable voltage, variable fan speed and adjustable polarity.

This static eliminator features ion producing emitter points and two 30 PPI replaceable foam filters to ensure optimal performance over extended periods of use. Also offering a built-in LED display that indicates proper function, the Varistat is designed with important safety features such as its current limiting circuit to protect against electrical hazards, and operating quietly and well below OSHA standards for noise exposure. The Varistat static eliminator is a reliable and effective solution for reducing static charges on sensitive products and protecting against static, dust, debris and other pesky particulate.



Static Eliminators

#### Applications

- Web cleaning
- Electronics assembly
- Molding machinery
- Slitting, sheeting and winding
- Cleaning parts
- Shrink wrappers
- Package cleaning
- Printing equipment
- Benchtop assembly

#### Advantages

- Mountable, hands-free operation
- Rapid static decay
- Low voltage operation
- OSHA safe air outlet and noise level
- LED indicators for proper and improper functionality

# VARISTAT Benchtop Ionizer

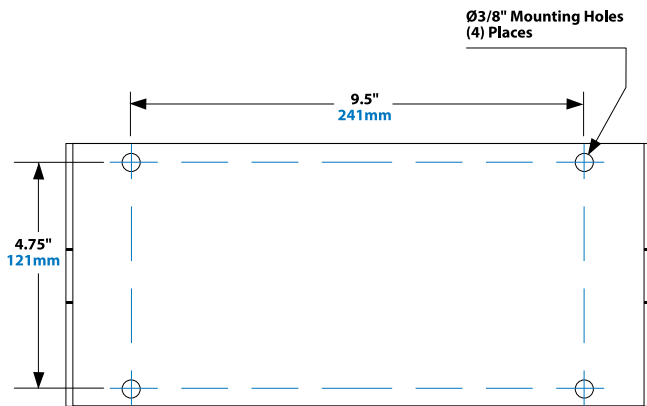
## How the VARISTAT Benchtop Ionizer works



After connecting the 115V or 230V power cable, plug into outlet 1) and check to make sure voltage selector switch 2) is set correctly; then activate power switch to activate static eliminating ions and airflow 3). A green light will indicate that power is turned on, improper functionality is indicated by a flashing red LED 4). Adjust fan speed with dial 5), and polarity with "+" and "-" buttons located on top 6). Adjust angle and height with knobs located on the side 7). Mounting bracket included for hands-free operation 8).

Static Eliminators

## VARISTAT Mounting Hole Locations:



| VARISTAT Benchtop Ionizer |  |
|---------------------------|--|
| Model #                   | Description  |
| 8600                      | Varistat Benchtop Ionizer with (2) Model 902329 Filter Kits, Model 902350 115V Power Cable and Model 901681 230V Power Cable |

| Accessories and Components – Replacement Parts |                             |
|--|-----------------------------|
| Model #  | Description                 |
| 902425   | Replacement Filter (30 PPI) |
| 902358   | Fan Speed Knob              |
| 7564   | Stand Knob                  |
| 7657   | Stand Grommet               |

## VARISTAT Benchtop Ionizer Specifications

- Certifications:** The Varistat Ionizer is UL Listed, and RoHS and CE compliant
- Input Voltage:** 120-240 VAC, 50/60 Hz - Selectable
- Input Current:** .6A/.4A
- Emitter Voltage:** 5-7 kV
- Balance:** ±100V, manually adjustable to <10V
- Dimensions:** 13 1/2 in. x 10 1/2 in. x 10 in.
- Weight:** 9.1 lbs
- Air Output:** 10" x 1.5" - covers up to 16" x 10' area
- Filter:** Two replaceable foam filters, 30 ppi
- Static Discharge:** 0.8 seconds to discharge 1000-100 V - measured 12" from charged area with fans at high speed
- Sound Level:** 67 dBA measured 3' in front of unit with fans at high speed
- Indicator LEDs:** Middle green LED indicates unit is on  
**Blue LEDs indicate balance adjustment positive and negative**  
**Red LED (above green LED):**  
 2 flashes - Electrical Failure  
 3 flashes - Control Board Malfunction  
 4 flashes - Fan Malfunction



## VARISTAT Benchtop Ionizer Dimensions

